



Cazaux

Technical data sheet || LC 50/100 ||



# LC 50/100

100 Series Low Speed Pump

## || CHARACTERISTICS

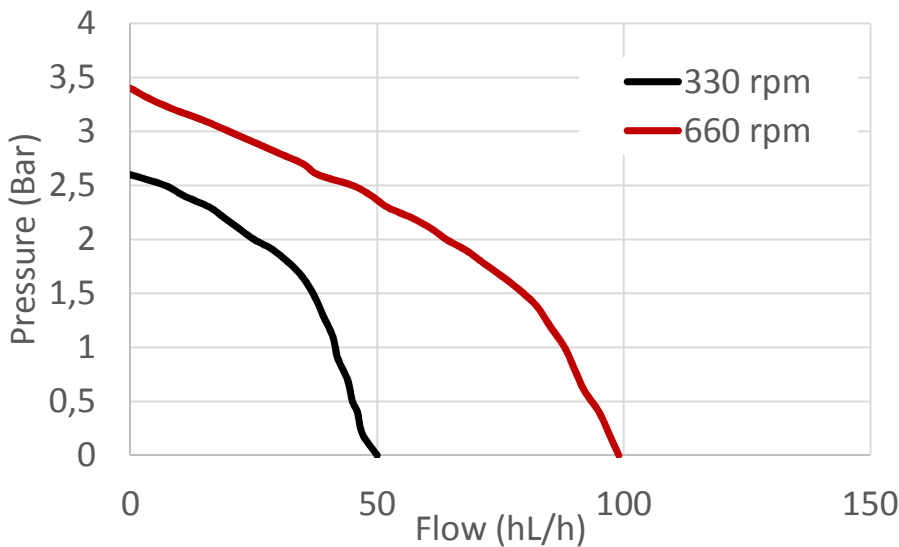
- ◆ Pump with flexible neoprene impeller
- ◆ Low rotational speed
- ◆ Pump housing in 316L stainless steel, precision foundry
- ◆ Flows: 50 and 100 hl/ h
- ◆ Speeds: 330 and 660 rpm
- ◆ Pump on stainless steel trolley
- ◆ Low oxygen dissolution (<0,05mg/L)
- ◆ Direction reversal switch
- ◆ Power : 1,4 kW



## || USE

- ◆ Pumping over
- ◆ Filtration
- ◆ Bottling
- ◆ Descaling
- ◆ Barrel filing

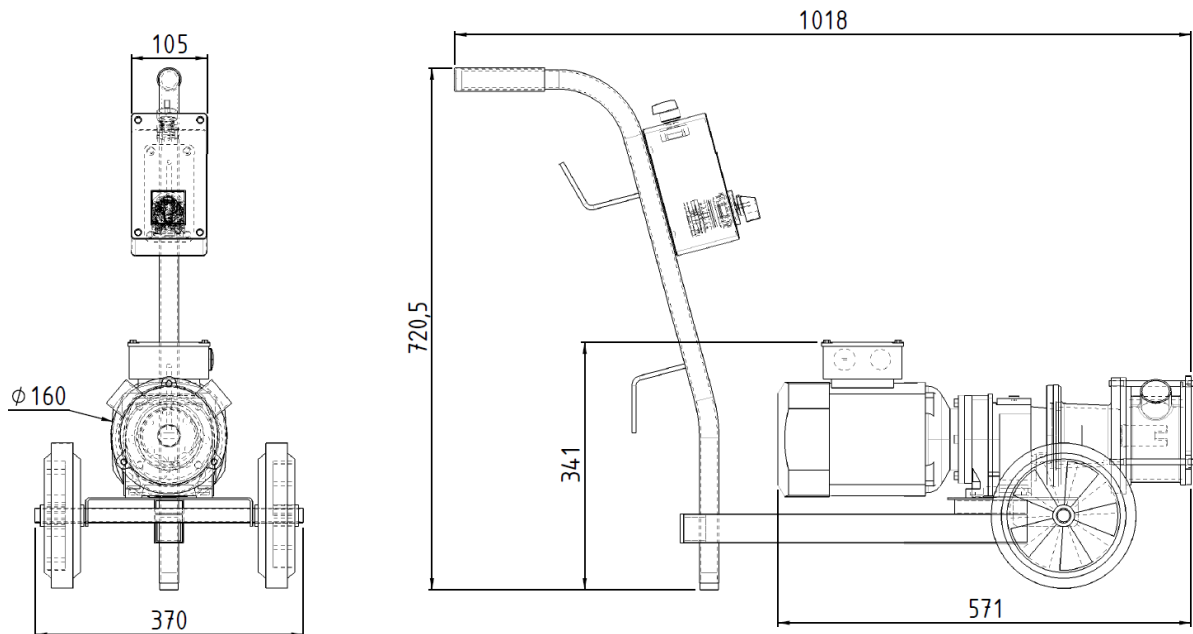
## || PRESSURE/FLOW



This test was carried out with a 3 meter pipe  $\varnothing 50$ , with 15°C water. Pressure losses can be different, depending of the pipe, the characteristics of the pipe, the product conveyed and the impeller.

## || OVERALL DIMENSIONS

Weight : 34,5 kg



Non-contractual document.

CAZAUX - ZA de Lalande - Route de Lalande - 33450 Montussan - France  
 Phone : +33 5 57 77 70 70 - Fax : +33 5 57 77 70 79  
 Email : commercial@rotorflex.com – Website : www.rotorflex.com

