

Cazaux

PUMP MANUFACTURER SINCE 1954





Cazaux



Our New Products



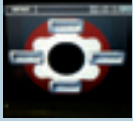
Single phase pumps

Page 4



Lobular pumps and their options

Pages 12, 13, 26 and 27



Touchscreen display

Page 24



Dosing pumps

Page 25



Helico-centrifugal pumps

Page 25



High precision massflow meter Automatic assembler

Pages 26 and 27



OENOFLEX® PUMPING OVER PUMPS

The range of pumping over pumps we offer comes from the CEnoflex® series. The volume of the pump body and its Ø50 fittings facilitate the passage of the must. The reduced rotation speed helps protect the product while conveying the pulp and seeds in suspension. Its quiet operation respects the serenity of your vat rooms.

CEnoflex® pumps are gentle with the product, robust in their construction and the professional wine equipment by definition.

We can design all the electrical controls you need according to your specifications: mechanical and electronic timer, temperature sensor, product detection etc.

	L120	L160NR	L200
Flow range	3.200 Gal US/h 120 hL/h	4.200 Gal US/h 160 hL/h	5.300 Gal US/h 200 hL/h
Rpm	360	480	550
kW	1,1	1,5	2,2
Trifase tension	220/400V	220/400V	220/400V
Amperage	2,7	3,7	4,5
Weight	25	27	30

In-line fittings. For any other option: contact us.



Must pump cabinet

Control box that includes: isolating switch, circuit breakers, and pump temperature protection.

Price: based on quote

A complete range

Summary



Cenoflex® Low speed pumps 100 SERIES pages 4-5



Rotorexc® Eccentric screw pumps pages 18-19



Cenoflex® Low speed pumps 200 SERIES pages 6-7



Rotorflex® High speed pumps pages 20-21



Cenoflex® Low speed pumps 300 SERIES pages 8-9



Rotorflex® Accessories pages 22-23



Cenoflex® Low speed pumps 600 SERIES pages 10-11



Cenoflex® and Rotorflex® spare parts page 24



LOB® NDA : Lobular pumps pages 12-13



Options page 25



Doublexc® Rotary eccentric piston pumps pages 14-15



New products: pumps, equipments, automat page 26



Cenocentrif® Centrifugal pumps pages 16-17



Oenodeb Volumetric flow meters page 27

Serial characteristics: tension: 380V, frequency: 50 Hz, 10 meters

GENERAL TERMS OF SALE

RESERVATION OF TITLE: We shall retain title to the item delivered until the full amount due from the purchaser has been received. Until we have been paid, we shall have the right to prohibit the use of the item delivered or to regain possession of it. The purchaser is authorized to resell the goods. However, he must then pass on to us all credit in his favour arising from the resale to third parties.

DELIVERY: Our goods are always shipped at the risk of the recipient, who is responsible for making any necessary claims against the carrier concerned. The recipient must check the number of packages received and the state of the goods in the presence of the carrier. Any complaints must be detailed on the delivery document and confirmed by registered letter sent to the carrier within 48 hours. If any reservations regarding the delivery are not completely and correctly expressed, the total value of the goods delivered will be fully due. In any case, disputes regarding transport cannot lead to all or part of the payment of the relative invoice being withheld.

RETURNS: Any return of goods must be upon our express authorization. A discount of 20% will be applied after we have carried out an assessment of the new items returned.

GUARANTEE: We guarantee the items delivered against any defects in the materials and manufacturing faults for a period of one year under normal conditions of use and with correct assembly. Items which are found to be defective will be replaced free of charge, with the exception of parts which have simply undergone normal operational wear. It is the customer's responsibility to prove, upon our request, that the product has not been misused, overloaded, incorrectly assembled or subject to improper use. We shall not be liable for compensation for any reason whatsoever.

JURISDICTION: The Court of Bordeaux (France) shall have sole jurisdiction in any disputes that may arise.

100 SERIES Low speed pumps

Characteristics

- Pump with flexible neoprene impeller
- Low rotational speed
- Pump housing in 316L stainless steel, precision foundry
- Pump on stainless steel trolley
- Gear reducer with two speeds motor
- Graphite/steatite mechanical seal
- Neoprene impeller

Electrical equipment

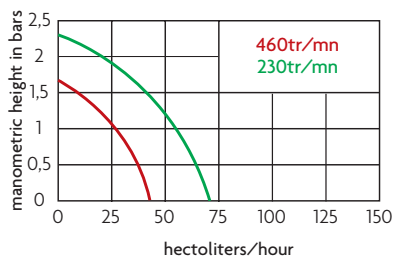
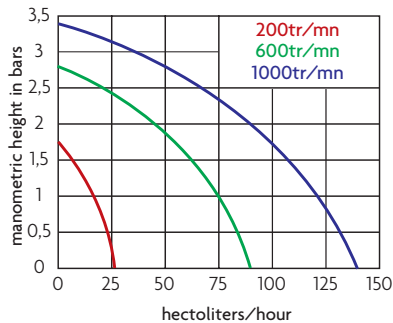
- Direction reversal switch
- Circuit breaker
- 10 meters cable with plug
- Plug PCE or HYPRA conformed to the CE standard

Outlet types



SL Ø 40

Curves and overall dimensions



These tests were carried out with a 3 meters pipe for suction and discharge, with water at 10°C.

Pressure losses are due to:

- the length of piping used.
- the density and temperature of the product conveyed.
- the sturdiness and nature of the impeller.

Options

- Speed regulator
- Radio control
- In-line fittings
- DIN thread
- Pressure regulator
- Pressure switch
- Bypass valve
- 4 wheels trolley

Use

- Pumping over
- Descaling
- Filtration
- Bottling
- Barrel filling

LCM16/85

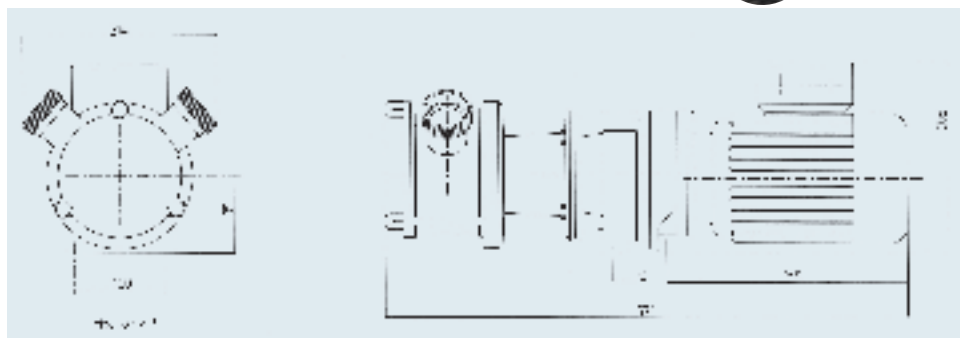


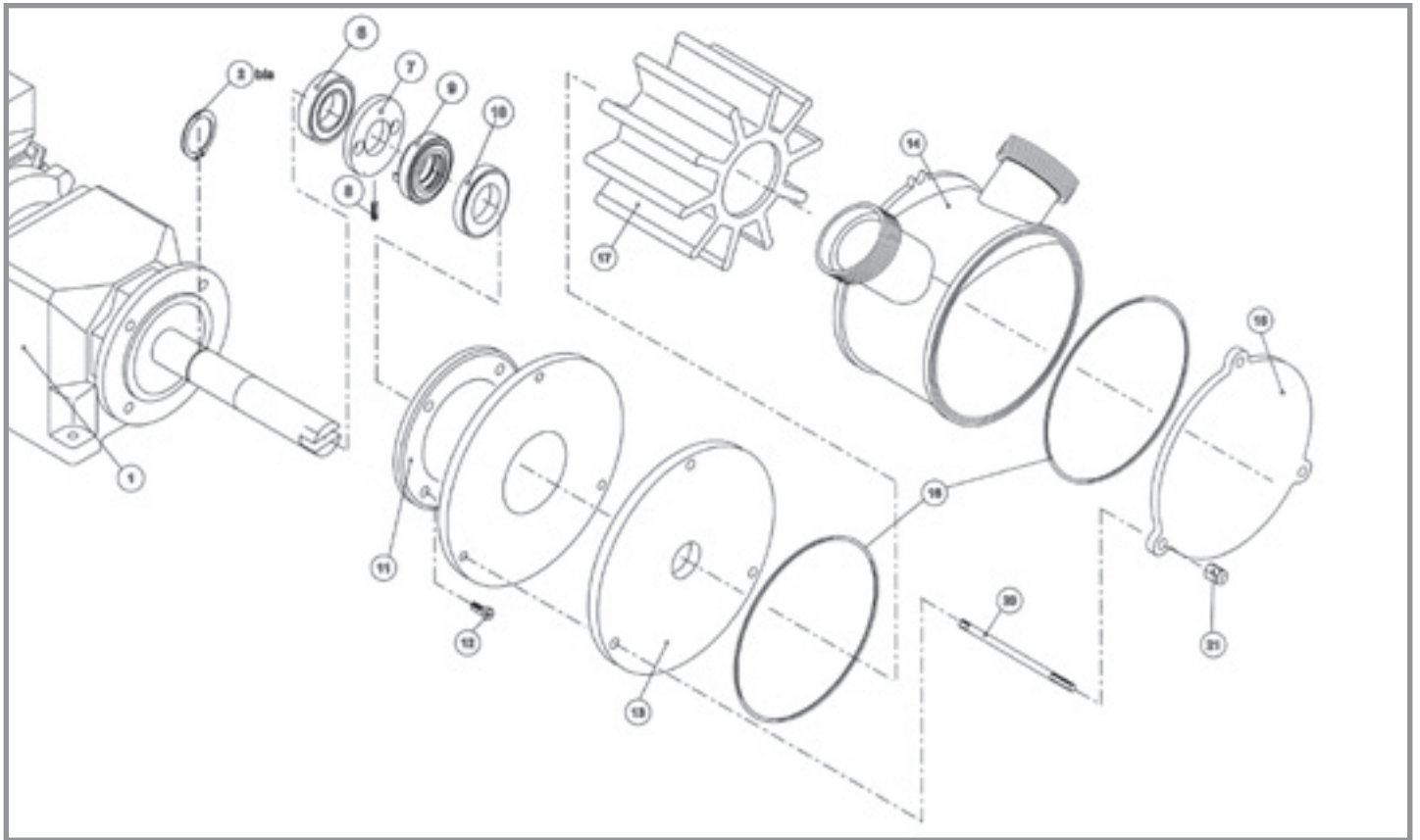
LCE5/140 BARRELS



MADE IN FRANCE

LCE15/100M





on trolley with electrical equipment	no trolley, no electrical equipment	no trolley with electrical equipment	GENOFLEX 100 SERIES STAINLESS STEEL Ø 40 macon in-line outlets				
			Reference	Gal US/h	Flow l/h	kW	Speed rpm

2 speed motors							
●			LC35/70	900	3500	0,7	230
	●		L35/70	and	and	and	and
		●	L35/70AE	1.900	7000	1,1	460
●			LC50/100	1.300	5000	1,0	330
	●		L50/100	and	and	and	and
		●	L50/100AE	2.600	10000	1,4	660

Mechanical regulators							
●			LCM16/85	400 to 2.200	1600 to 8500	1,1	230 to 460
	●		LM16/85				
		●	LM16/85AE				
●			LCM25/140	700 to 3.700	2500 to 14000	1,5	330 to 660
	●		LM25/140				
		●	LM25/140AE				

Electronic regulators							
●			LCE5/140	100 to 3.700	500 to 14000	1,5	50 to 850
	●		LE5/140				
		●	LE5/140AE				
●			BARRELS	100 to 2.600	500 to 10000	1,5	50 to 850
●			New* LCE15/100M				

* Single-phase current 230V

Spare parts		
Ref.	Description	Code
1	Motor reducer	Please ask for a quote
2bis	Circlips	CT30
6	Bearing	CT6306
7	Drive ring	BAGVM.
9	Swivel joint	CE305415P
10	Counter-face	CY305710
11	Spacer ring	FP1014/FC
13	Rear flange	DL100LAR
14	Pump housing	FN100LSV40
15	Front flange	DL100LAV
16	O-ring gasket	CTI2025
17	Impeller	MBL100
20/21	Stainless steel tension rod with nut	TIL100

Kits	
Repair kit	Code
Impeller	MBL100
Sealing (ref. 9, 10, 16)	KITLJ100

Outlet types	
Description	Code
Ø50 MACON in-line outlets	SL50/100
Ø50 DIN In-line outlets	SL50/100DIN

200 SERIES Low speed pumps

Characteristics

- Pump with flexible neoprene impeller
- Low rotational speed
- Pump housing in 316L stainless steel, precision foundry
- Pump on stainless steel trolley
- Gear reducer with two speeds motor
- Graphite/steatite mechanical seal
- Neoprene impeller

Electrical equipment

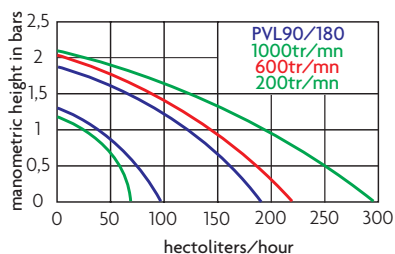
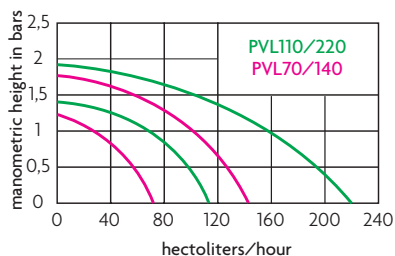
- Direction reversal switch
- Circuit breaker
- 10 meters cable with plug
- Plug PCE or HYPRA conformed to the CE standard

Outlet types



SL Ø 50

Curves and overall dimensions



These tests were carried out with a 3 meters pipe for suction and discharge, with water at 10°C.

Pressure losses are due to:

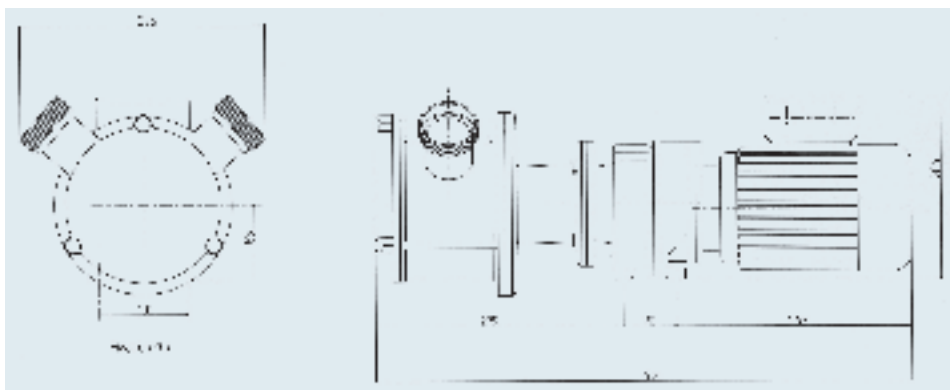
- the length of piping used.
- the density and temperature of the product conveyed.
- the sturdiness and nature of the impeller.

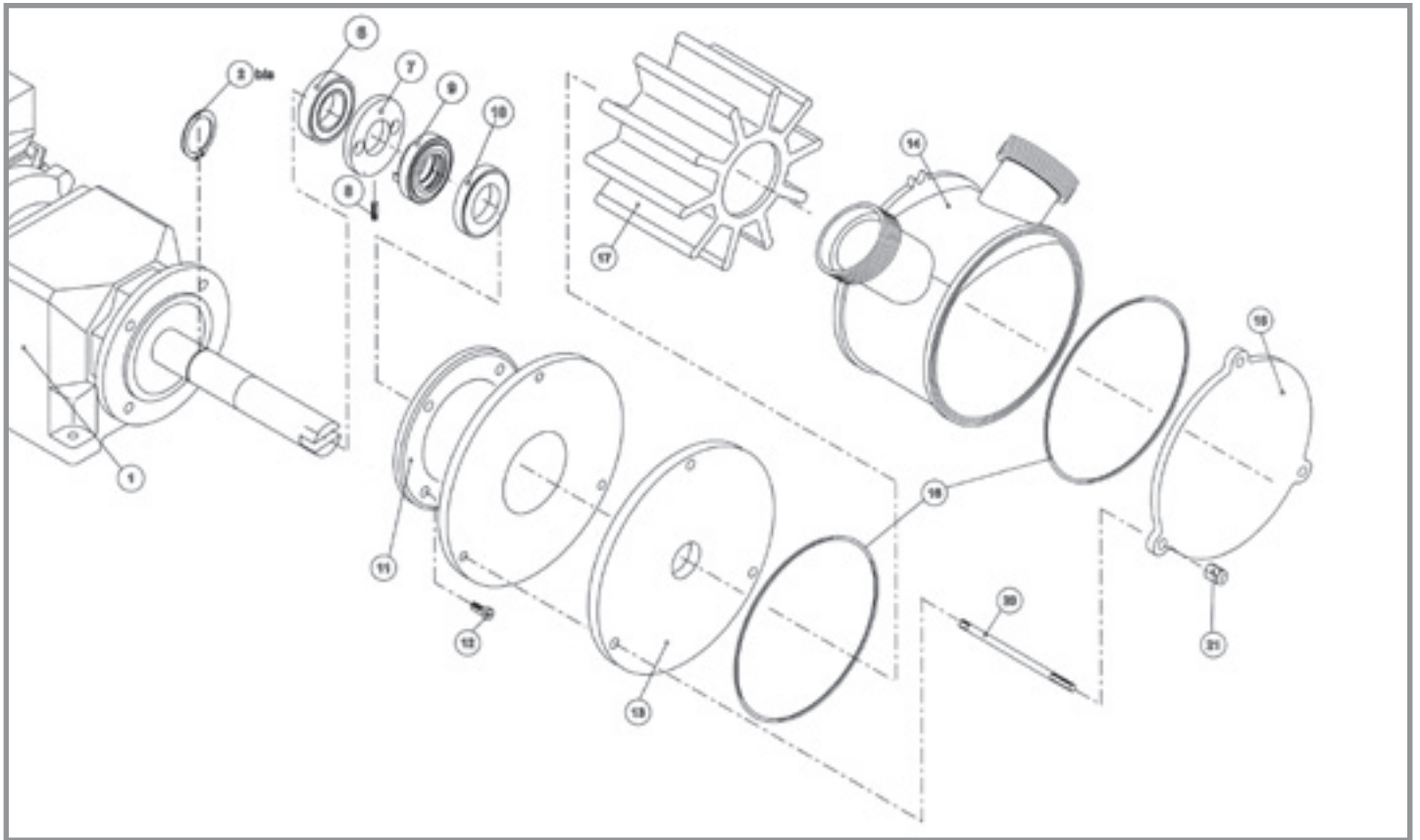
Options

- Speed regulator
- Radio control
- In-line fittings
- DIN thread
- Pressure regulator
- Pressure switch
- Bypass valve

Use

- Pumping over
- Descaling
- Filtration
- Bottling
- Barrel filling





on trolley with electrical equipment	no trolley, no electrical equipment	no trolley, with electrical equipment	GENOFLEX 200 SERIES STAINLESS STEEL Ø 50 macon in-line outlets				
			Reference	Gal US/h	Flow l/h	kW	Speed rpm

2 speed motors							
●			LC70/140	1.800 and 3.700	7000 and 14000	1,0 and 1,4	200 and 400
	●		L70/140				
		●	L70/140AE				
●			LC90/180	2.400 and 4.800	9000 and 18000	1,0 and 1,4	250 and 500
	●		L90/180				
		●	L90/180AE				
●			LC110/220	2.900 and 5.800	11000 and 22000	1,3 and 1,8	310 and 620
	●		L110/220				
		●	L110/220AE				

1 speed motors Atex New*							
●			L200 Atex	5.200	20000	3	400
	●		L200 Atex				
		●	L200 Atex				

Electronic regulators							
●			LCE15/240	400 and 6.300	1500 to 24000	2,2	50 to 775
	●		LE15/240AE				
		●	LE15/240				
●			LCE15/260	400 and 6.900	1500 to 26000	3	
	●		LE15/260AE				
		●	LE15/260				

Spare parts		
Ref.	Description	Code
1	Motor reducer	Please ask for a quote
2bis	Circlips	CT30
6	Bearing	CT6306
7	Drive ring	BAGVM
9	Swivel joint	CE305415P
10	Counter-face	CY305710
11	Spacer ring	FP2002
13	Rear flange	DL200LAR
14	Pump housing	FN200LSV50
15	Front flange	DL200LAV
16	O-ring gasket	CTI5825
17	Impeller	MBL200
18	Impeller for LCE15/260	MBL200C
20/21	Stainless steel tension rod	TIL200

Kits	
Repair kit	Code
Impeller	MBL200
Impeller for LCE15/260	MBL200C
Sealing (ref. 9, 10, 16)	KITLJ200

Outlet types	
Description	Code
Ø40 MACON in-line outlets	SL40/200
Ø50 DIN In-line outlets	SLS0/200DIN

300 SERIES Low speed pumps

Characteristics

- Pump with flexible neoprene impeller
- Low rotational speed
- Pump housing in 316L stainless steel, precision foundry
- Pump on stainless steel trolley
- Gear reducer with two speeds motor
- Graphite/steatite mechanical seal
- Neoprene impeller

Electrical equipment

- Direction reversal switch
- Circuit breaker
- 10 meters cable with plug
- Plug PCE or HYPRA conformed to the CE standard

Options

- Speed regulator
- Radio control
- In-line fittings
- DIN thread
- Pressure switch

Use

- Pumping over
- Descaling
- Filtration
- Bottling
- Barrel filling

LC170/340



LCE25/400



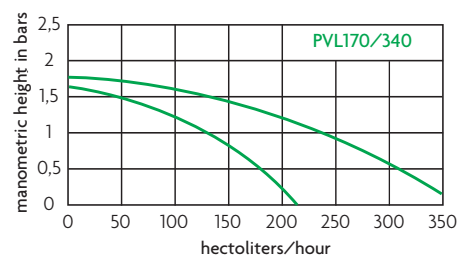
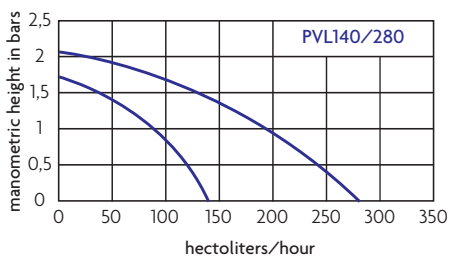
Outlet types



SL Ø 70

MADE IN FRANCE

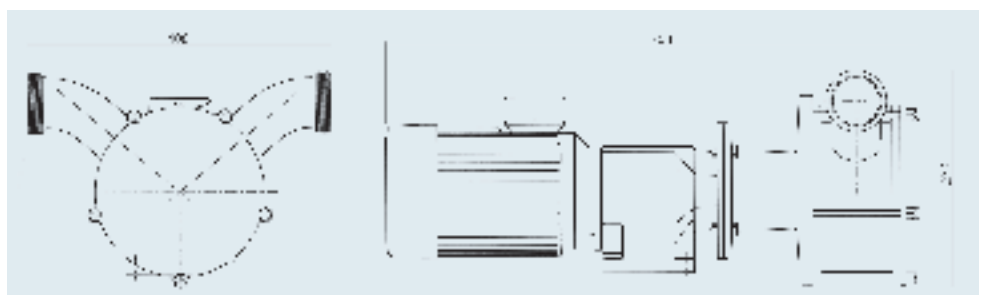
Curves and overall dimensions

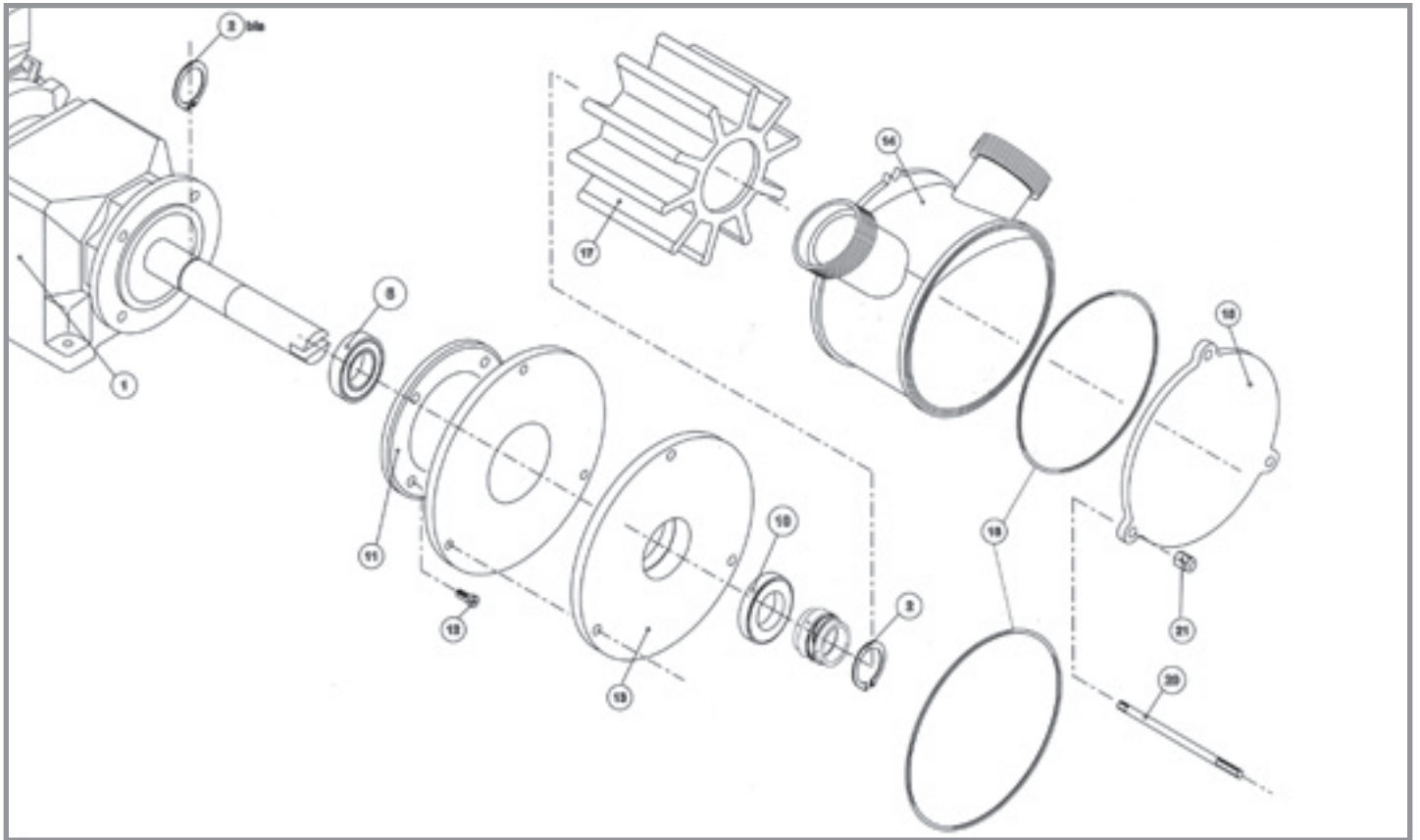


These tests were carried out with a 3 meters pipe for suction and discharge, with water at 10°C.

Pressure losses are due to:

- the length of piping used.
- the density and temperature of the product conveyed.
- the sturdiness and nature of the impeller.





on trolley with electrical equipment	no trolley, no electrical equipment	no trolley, with electrical equipment	CENOFLEX 300 SERIES STAINLESS STEEL Ø 70 macon in-line outlets			
			Reference	Gal US/h	Flow l/h	kW

2 speed motors							
●			LC140/280	3.700 and 7.400	14000 and 28000	1,8 and 2,3	270 and 540
	●		L140/280				
		●	L140/280AE				
●			LC170/340	4.500 and 8.900	17000 and 34000	2,4 and 3,1	360 and 720
	●		L170/340				
		●	L170/340AE				

1 speed motors Atex New*							
●			L300 Atex	7.900	30000	5	400
	●		L300 Atex				
		●	L300 Atex				

Electronic regulators							
●			LCE25/400	600 to 10.600	2500 to 40000	4	50 to 775
		●	LE25/400AE				
	●		LE25/400				

Spare parts		
Ref.	Description	Code
1	Motor reducer	Please ask for a quote
2	Stainless steel circlips	CT40INOX
2bis	Circlips	CT40
6	Bearing	CT6308
9	Swivel joint	CY406518
10	Counter-face	CY406812
11	Spacer ring	FDP331
13	Rear flange	DL300LAR
14	Pump housing	FN300SV50
15	Front flange	DL300LAV
16	O-ring gasket	CTT923
17	Impeller	MBL300
20/21	Stainless steel tension rod	TIL300

Kits	
Repair kit	Code
Impeller	MBL300
Sealing (ref. 9, 10, 16)	KITLJ300

Outlet types	
Description	Code
Ø50 MACON in-line outlets	SL50/300
Ø50 DIN In-line outlets	SL50/300DIN
Ø65 DIN In-line outlets	SL65/300DIN

600 SERIES Low speed pumps

Characteristics

- Pump with flexible neoprene impeller
- Low rotational speed
- Pump housing in 316L stainless steel, precision foundry
- Pump on stainless steel trolley
- Gear reducer with two speeds motor
- Graphite/steatite mechanical seal
- Neoprene impeller

Electrical equipment

- Stainless steel box
- Fluid detector
- Or temperature control
- 10 meters cable with plug
- Plug PCE or HYPRA conformed to the CE standard

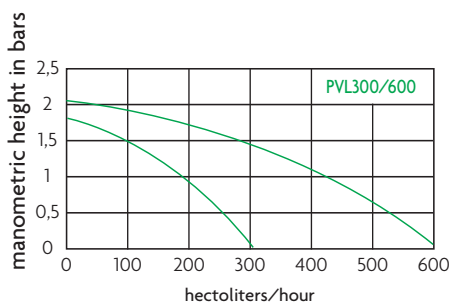


Outlet types



SL Ø 70

Curves and overall dimensions



These tests were carried out with a 3 meters pipe for suction and discharge, with water at 10°C.

Pressure losses are due to:

- the length of piping used.
- the density and temperature of the product conveyed.
- the sturdiness and nature of the impeller.

Options

- Speed regulator
- Radio control
- DIN thread
- In-line fittings
- 4 wheels trolley

Use

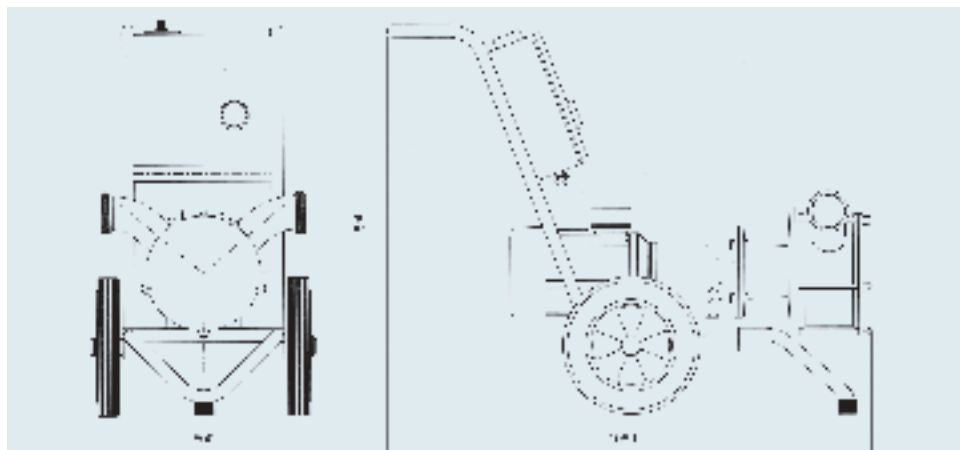
- Tankers
- Descaling
- Delestage
- Bottling

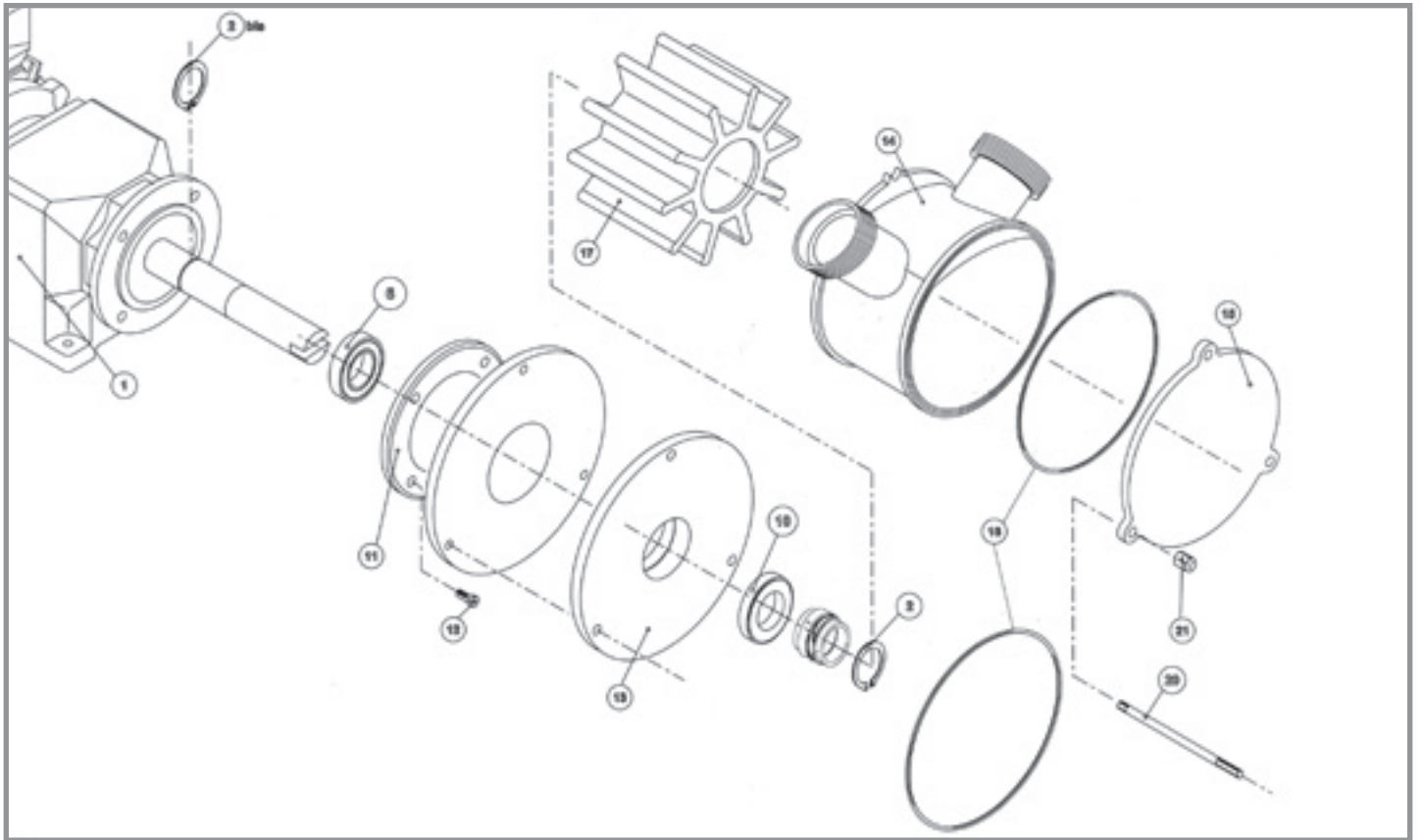


LC300/600

MADE IN FRANCE

LCE50/700





on trolley with electrical equipment	no trolley, no electrical equipment	no trolley, with electrical equipment	CENOFLEX 600 SERIES STAINLESS STEEL Ø 70 macon in-line outlets				
			Reference	Gal US/h	Flow l/h	kW	Speed rpm

2 speed motors							
●			LC300/600	7.900 and 14.200	30000 and 54000	3,6 and 4,4	300 and 600
	●		L300/600				
		●	L300/600AE				

Electronic regulators							
●			LCE50/700	1.300 to 14.200	5000 to 54000	5,5	50 to 700
		●	LE50/700AE				
	●		LE50/700				

Spare parts		
Ref.	Description	Code
1	Motor reducer	Please ask for a quote
2	Stainless steel circlips	CT40INOX
2bis	Circlips	CT40
6	Bearing	CT6308
9	Swivel joint	CY406518
10	Counter-face	CY406812
11	Spacer ring	FDP631
13	Rear flange	DL600LAR
14	Pump housing	FN600LSV70
15	Front flange	DL600LAV
16	O-ring gasket	CT2353
17	Impeller	MBL600
20/21	Stainless steel tension rod	TIL600

Kits	
Repair kit	Code
Impeller	MBL600
Sealing (ref. 9, 10, 16)	KITIJ600

Outlet types	
Description	Code
Ø65 DIN In-line outlets	SL65/600DIN

Low speed lobular pumps

Characteristics

- Wide flow range from 500 up to 26.400 Gal US/h (20 hl up to 1000 hl/hour) depending on the model
- Multifunction lobular pump in alimentary nitrile
- Very slow rotation speed (max: 500 rpm): delicate with the product
- Pump housing in 316L stainless steel
- Robust
- Transfer of small solid particles
- Low oxygen dissolution
- Self aspiration: 8 meters
- Electronic regulator
- Very silent
- High pressure (up to 10 bar according to the model) and temperature resistant (-10°C, 90°C)
- Hygienic : easy cleaning

Electrical equipments

- Rotational direction switch
- Circuit breaker
- 10 meters cable
- Plug PCE or HYPRA conformed to the CE standard

Options

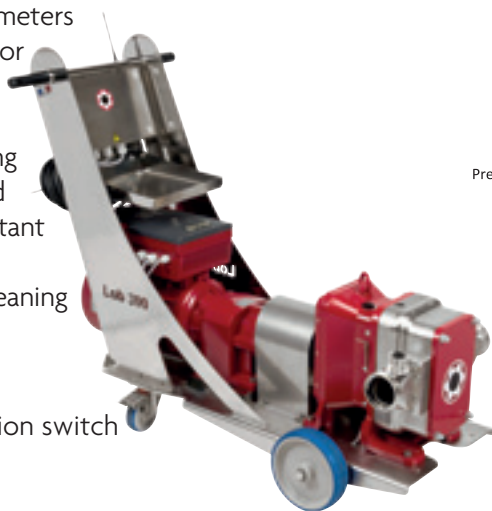
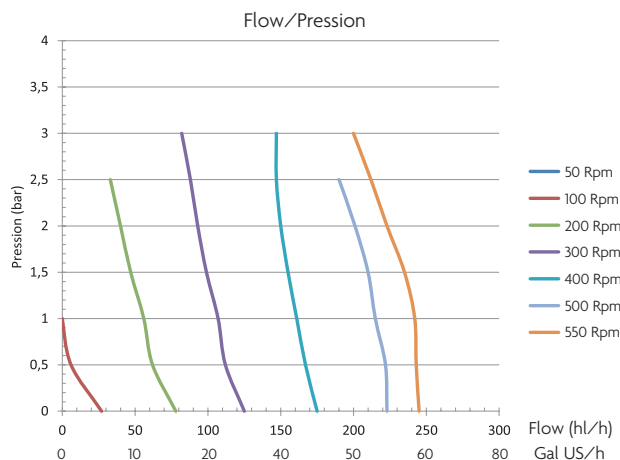
- Remote control with flow display
- Pressure regulator
- Pressure switch for barrel filling
- Security against dry running
- Integrated electromagnetic flowmeter
- Tactil display
- Motorized or pneumatic valve
- **Atex (contact us)**

Use

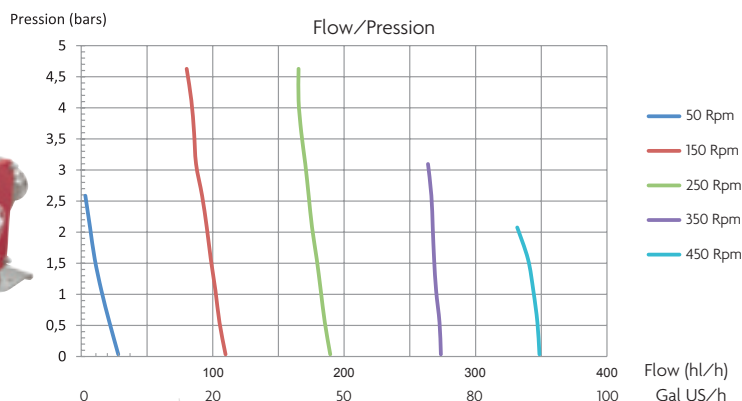
- **All transfers: from the reception of destemmed grapes to wine bottling**



LOB200E (180kg) DIMENSIONS : 118 X 57 X 95

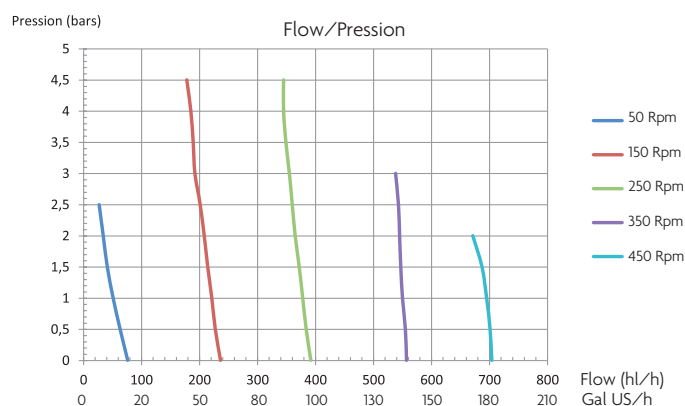


LOB300E (205kg) DIMENSIONS : 128 X 57 X 95



LOB600E (255kg)

DIMENSIONS : 135 X 65 X 95

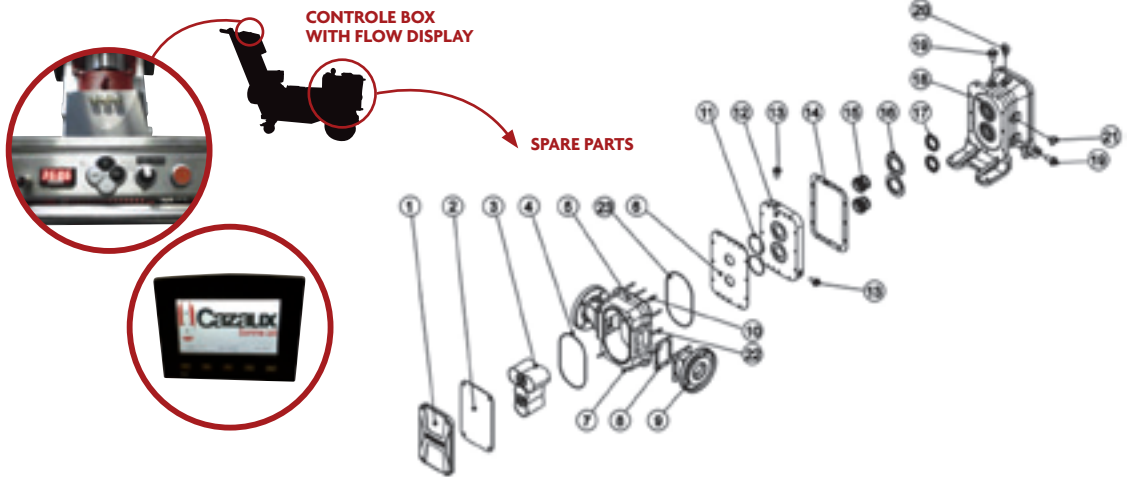
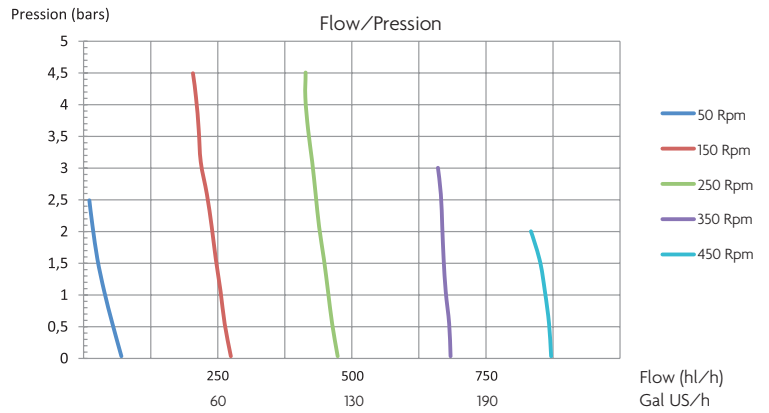


LOB® NDA stainless steel on trolley with electrical equipment

Reference	Gal US/h	Flow L/h	kW	Speed rpm
-----------	----------	----------	----	-----------

Electronic regulators

LOB200E	400 to 5.800	1500 to 22000	4	50 to 500
LOB300E	800 to 8.900	3000 to 34000	5,5	50 to 500
LOB600E	100 to 17.100	6000 to 65000	7,5 or 11	50 to 450
LOB1000E	2.100 and 29.000	8000 to 110000	11 or 15	50 to 450



LOB200E / LOB300E / LOB600E / LOB1000E SPARE PARTS

REP	SPECIFICATION	LOB 200 E NO. ARTICLE	LOB 300 E NO. ARTICLE	LOB 600 E NO. ARTICLE	LOB 1000 E NO. ARTICLE
1	Front cover	LOBPF200/300	LOBPF200/300	LOBPF600/1000	LOBPF600/1000
2	Front wear cover	LOBUSAV200/300	LOBUSAV200/300	LOBUSAV600/1000	LOBUSAV600/1000
3	Lobe	LOB200LOB	LOB300LOB	LOB600LOB	LOB1000LOB
4	O-ring front pump casing	LOBJTCORPS200/300	LOBJTCORPS200/300	LOBJTCORPS600/1000	LOBJTCORPS600/1000
5	Pump housing	LOB200CORPS	LOB300CORPS	LOB600CORPS	LOB1000CORPS
6	Rear wear cover	LOBUSAR200/300	LOBUSAR200/300	LOBUSAR600/1000	LOBUSAR600/1000
7	Front rod	LOBTIRAV200/300	LOBTIRAV200/300	LOBTIRAV600/1000	LOBTIRAV600/1000
8	Connection gasket	LOB200JTCON	LOB300JTCON	LOB600JTCON	LOB1000JTCON
9	Outlet connection	LOB200SORTIECONNEX	LOB300SORTIECONNEX	LOB600SORTIECONNEX	LOB1000SORTIECONNEX
10	Short rear rod	LOBTIRARCOURT200/300	LOBTIRARCOURT200/300	LOBTIRARCOUR600/1000	LOBTIRARCOUR600/1000
11	Internal chamber O-ring gasket	LOBJTCHAMBINT200/300	LOBJTCHAMBINT200/300	LOBJTCHAMBINT600/1000	LOBJTCHAMBINT600/1000
12	Rear cover	LOBPLAR200/300	LOBPLAR200/300	LOBPLAR600/1000	LOBPLAR600/1000
13	Internal chamber cap	LOB200BOUCHONCI	LOB300BOUCHONCI	LOB600BOUCHONCI	LOB1000BOUCHONCI
14	Adjustment gasket	LOBJTPLAT200/300	LOBJTPLAT200/300	LOBJTPLAT600/1000	LOBJTPLAT600/1000
15	Mechanical seal	LOBJTTOURN200/300	LOBJTTOURN200/300	LOBJTTOURN600/1000	LOBJTTOURN600/1000
16	Counter-face	LOBCONTREFAC200/300	LOBCONTREFAC200/300	LOBCONTREFAC600/1000	LOBCONTREFAC600/1000
17	Lip seal	LOBJTLEVRES200/300	LOBJTLEVRES200/300	LOBJTLEVRES600/1000	LOBJTLEVRES600/1000
18	Gear box	RED200	RED300	RED600	RED1000
19	Cap reducer	LOBBOUCHREDU200/300	LOBBOUCHREDU200/300	LOBBOUCHREDU600/1000	LOBBOUCHREDU600/1000
20	Eye bolt	LOBANNLEV200/300	LOBANNLEV200/300	LOBANNLEV600/1000	LOBANNLEV600/1000
21	Oil level	ANLEV200	ANLEV200	ANLEV600	ANLEV1000
22	Stud rear pump casing	LOBTIRARLG200/300	LOBTIRARLG200/300	LOBTIRARLG600/1000	LOBTIRARLG600/1000
23	O-ring rear pump casing	LOBJTCORPSAR200/300	LOBJTCORPSAR200/300	LOBJTCORPSAR600/1000	LOBJTCORPSAR600/1000

Rotary Eccentric piston pump

Characteristics

- Low rotational speed: no destruction of pulp and seeds
- Pump housing in stainless steel 316L
- Low oxygen dissolution
- High aspiration capacity up to 8 meters on dry working
- Electronic regulator
- Maintenance: quick disassembled
- Capacity to pump viscous products
- Transfer on long distance and pressure must during pumping over
- Ability to empty pipes after transfer
- Easy cleaning

Options

- Remote control
- Pressure regulator
- Pressure switch for barrel filling and security
- Security against dry running for regulator pump
- By-pass
- With display
- Integrated electromagnetic flowmeter

Use

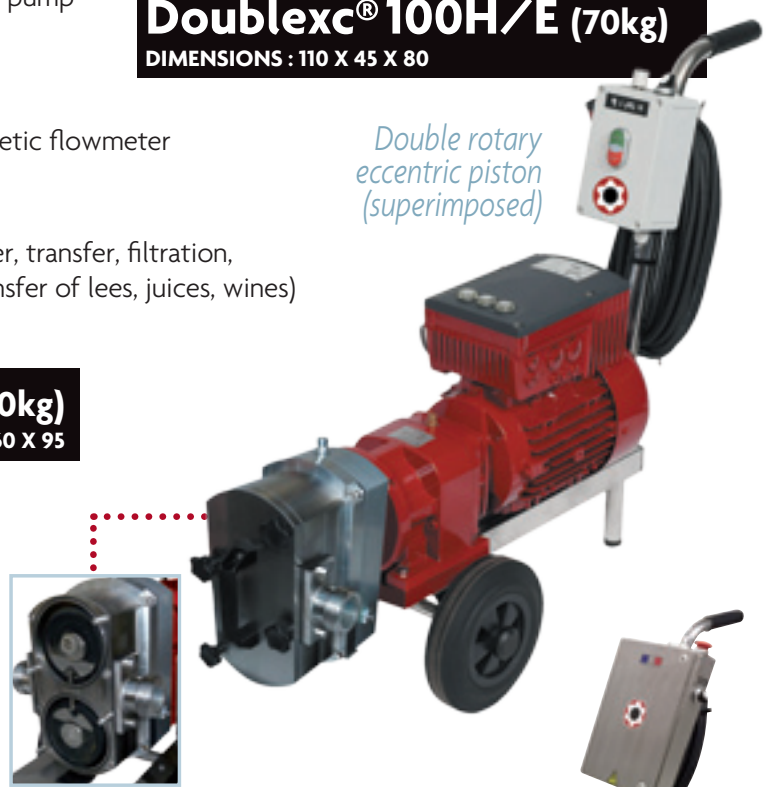
- Pumping-over, transfer, filtration, Bottling (transfer of lees, juices, wines)

Electrical equipments

- Direction reversal switch
- Circuit breaker
- 10 meters cable
- Plug PCE or HYPRA conforme to the CE Standard

Doublexc® 100H/E (70kg)
DIMENSIONS : 110 X 45 X 80

Double rotary eccentric piston (superimposed)

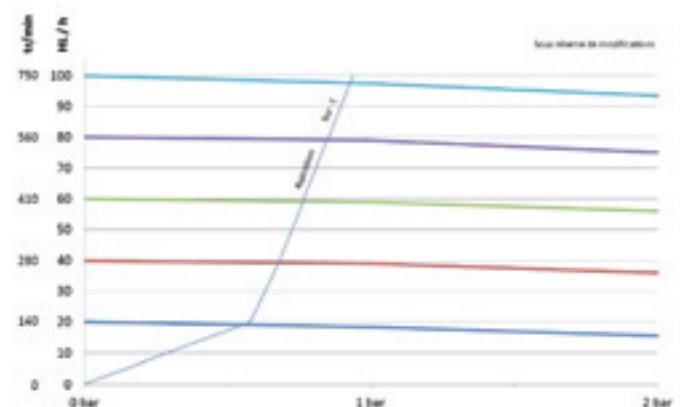


Doublexc® 100/E (60kg)
DIMENSIONS : 110 X 45 X 80

Double rotary eccentric piston (aligned)



Curves Doublexc® 100H/E and 100/E



These tests were carried out with a 12 meters ø70 mm pipe for suction and a 6 meters pipe for discharge. Pressure losses are due to:

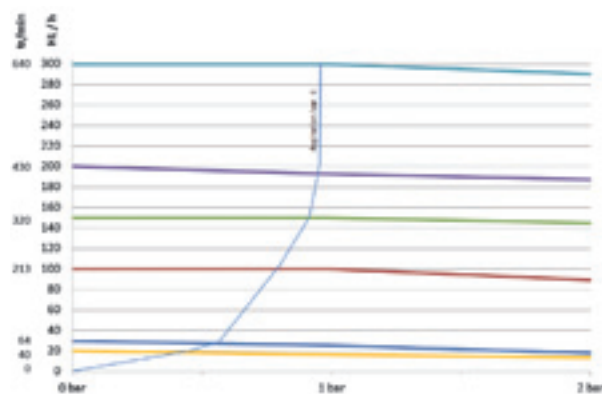
- The length of piping used
- The density and temperature of the product conveyed.



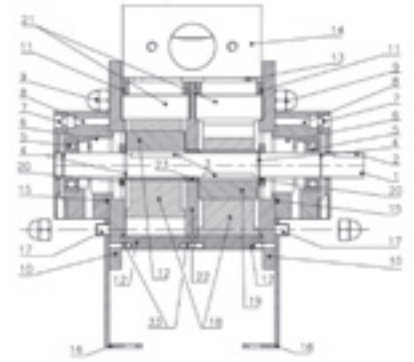
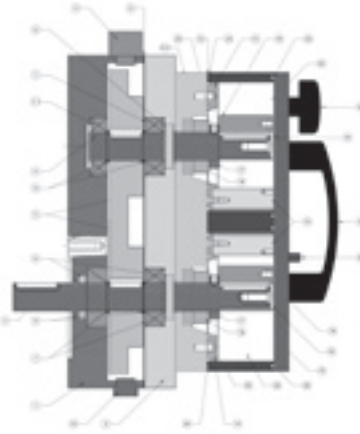
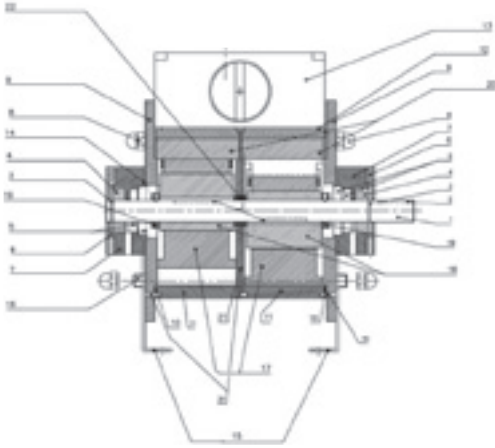
Doublexc® 300/E (120kg)
DIMENSIONS : 140 X 60 X 95

Double rotary eccentric piston (aligned)

Curves Doublexc® 300/E



DOUBLEXC® On trolley with electrical equipment				
Reference	Gal US/h	Flow L/h	kW	Speed rpm
Double rotary eccentric piston (aligned)				
DOUBLEXC 100/E	100 to 2.600	500 to 10000	1,5	50 to 850
DOUBLEXC 300/E	800 to 7.900	3000 to 30000	4	50 to 650
DOUBLEXC 500/E	1.300 to 13.200	5000 to 50000	8	50 to 650
Double rotary eccentric piston (superimposed)				
DOUBLEXC 100H/E	100 to 2.600	500 to 10000	1,5	50 to 750


SPARE PARTS FOR DOUBLEXC 300/E

NB	DESCRIPTION	NO. ARTICLE
1	axel	21701-70
3	key	20042-02
2	circlips din 471	21701-71
2	bearing	20038-02
2	mechanical seal	20043-61
2	bearing cover	21701-60
2	bearing	21701-50
8	blind nut	21703-10
2	lange	21701-30
4	O-ring gasket for pump casing	21701-19
2	pump casing	21701-10
1	collector joint	21701-09
1	collector	21701-00
2	O-ring gasket for bearing	21701-59
2	base	SELON MOTEUR
4	rod	21701-90
2	diaphragm	20055-07
2	eccentric	20035-01
2	ring	21701-80
2	pallet	21701-20
1	internal cover	21701-40
1	spacer ring	21702-00
1	by pass joint	21702-32
1	by-pass pump casing	21702-30
1	by-pass needle valve	21702-33
1	by-pass spring	20011-02
1	by-pass head	10060-02
1	by-pass screw	10031-14
1	by-pass wheel	10038-02
1	O-ring joint for by-pass	10058-07
1	O-ring joint wheel for by-pass	10054-07
3	pin	-

SPARE PARTS FOR DOUBLEXC 100H/E

NB	DESCRIPTION	NO. ARTICLE
2	guide	11800-18
2	membrane a	10070-07
2	ext. Joint wear cover	11800-16.6
2	int. Joint wear cover	11800-16.5
2	cylinder seal	11701-30
1	lid handle	11800-11.5/15
4	lid wheel	11800-21
2	eccentric washer	11800-20.5
2	mechanical seal	20043-61
2	stop ring	21701-80
2	eccentric	11800-20
2	pallet	11800-17
2	wear cover	11800-16
1	cylindric lid	11800-11
1	lid security	11800-22
1	cylindric base	11800-10.4
1	cylinder block	11800-10.3
1	level indicator	11800-25.2
1	Exhaust cap	11800-25
1	closing cap	11800-25.4
4	shaft ring	21701-71
3	shaft joint	11800-23
1	bearing	20038-03
3	bearing	39800-35
1	sealing joint	11800-125
2	rack wheel	11800-121
1	high axel	11800-16/15
1	low axel	11800-15/15
1	transmission cap	11800-13/15
1	transmission oilpan	11800-12/15

SPARE PARTS FOR DOUBLEXC 100/E

NB	DESCRIPTION	NO. ARTICLE
1	axel	11701-510.1
1	key	10075-02
2	key	10220-02
4	circlips din 471	11701-17
2	bearing 6004 2rs	10065-03
2	mechanical seal	10055-61
2	lbearing cover	11701-06
2	bearing	11701-05
8	blind nut	11701-46
2	flange	11701-02
4	O-ring gasket for pump casing	11701-30
2	pump casing	11701-01
1	collector joint	11701-15
1	collector	11701-07
2	O-ring gasket for bearing	11701-31
4	rod	11701-11
2	diaphragm	10070-07
2	eccentric	12005-02
2	stop ring	11701-081
2	pallet	11701-12
1	internal cover	11701-03
1	spacer ring	11701-09
1	by pass joint	11700-13

DOUBLEXC OPTIONS

DESCRIPTION	CODE
remote control for electronic variator	COMPELEC32
remote control for electronic variator with display	COMPELEC33
pressure switch in ø 40 din	PRESSOSTAT DN40
pressure switch in ø 50 din	PRESSOSTAT DN50
pressure switch in ø 70 din	PRESSOSTAT DN70
vibrating reed option against dry running ø 40 din	LAME VIBRANTE DN40
vibrating reed option against dry running ø 50 din	ILAME VIBRANTE DN50
vibrating reed option against dry running ø 70 din	LAME VIBRANTE DN70
touchscreen	ECTDOUB

DOUBLEXC PUMPS

DESCRIPTION	CODE
doublexc 100 pump with electronic variator	DOUBLEXC100/E
doublexc 100 H pump with electronic variator	DOUBLEXC100H/E
doublexc 300 pump with electronic variator	DOUBLEXC300/E

Self-triggering centrifugal pumps

Specifications

- Single speed pump, 1500 rpm
- Electronic control pump: 500 to 1800 rpm
- Pumps for use in a potentially explosive atmosphere
- Stainless steel 316 L. pump
- Pump on stainless steel trolley

Electrical equipment

- Rotational direction inverter
- Circuit breaker
- 10 meters cable
- Plug PCE or HYPRA CE

Options

- Speed control
- Suction / overflow elbow
- T-shaped filter
- Pressure regulator
- DIN threads
- Pressure switch
- Radio control



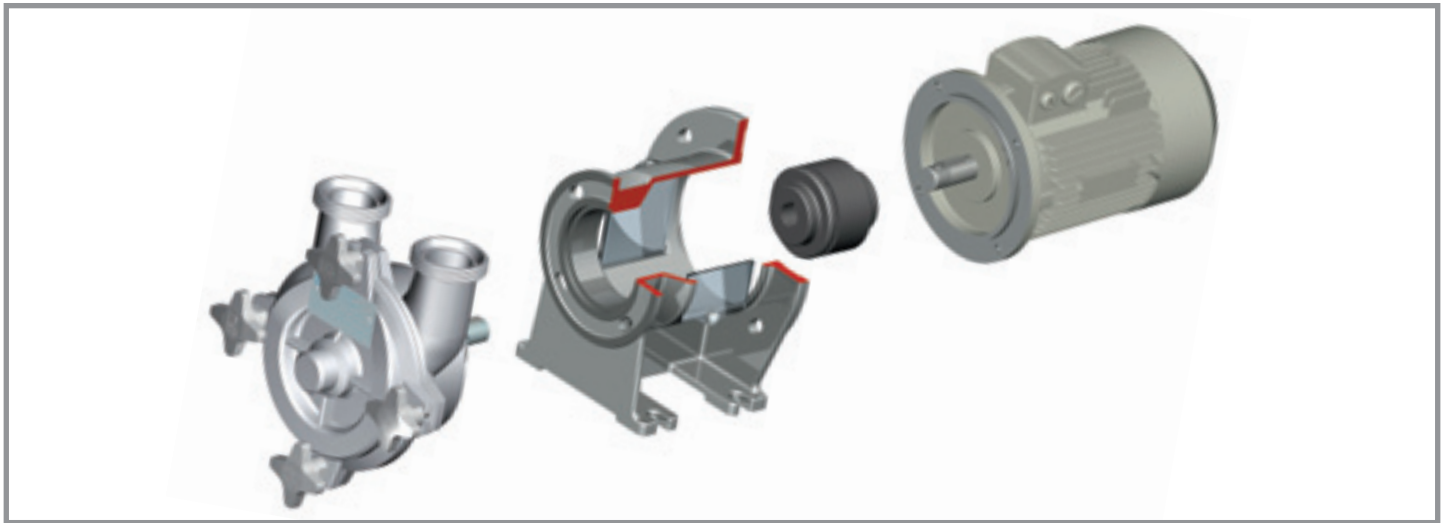
Filter-based protection



Pressure regulator

Possible uses:

Pumps ideally suited to the transport of various fluids such as fruit juice, milk, serum, syrup, oil, wine, spirits, or chemical and pharmaceutical products. They can also be used with foam- and gas-forming products, with partially filled suction tubes. Thanks to the materials and methods used for manufacturing, these pumps can be quickly disassembled, which makes them ideal for the food industry (dairy and beverages). Due to their specific design, these pumps can only empty suction tubes.



TYPE 21				
Reference	kW	Gal US/h	Speed rpm	DN
Centrifugal single speed pump CA21	0,37	600	25	40
Centrifugal pump with electronic variator	0,55	100 to 700	5 to 27	
Single speed Atex pump	0,55	600	25	
Pressure regulator				
Filter				

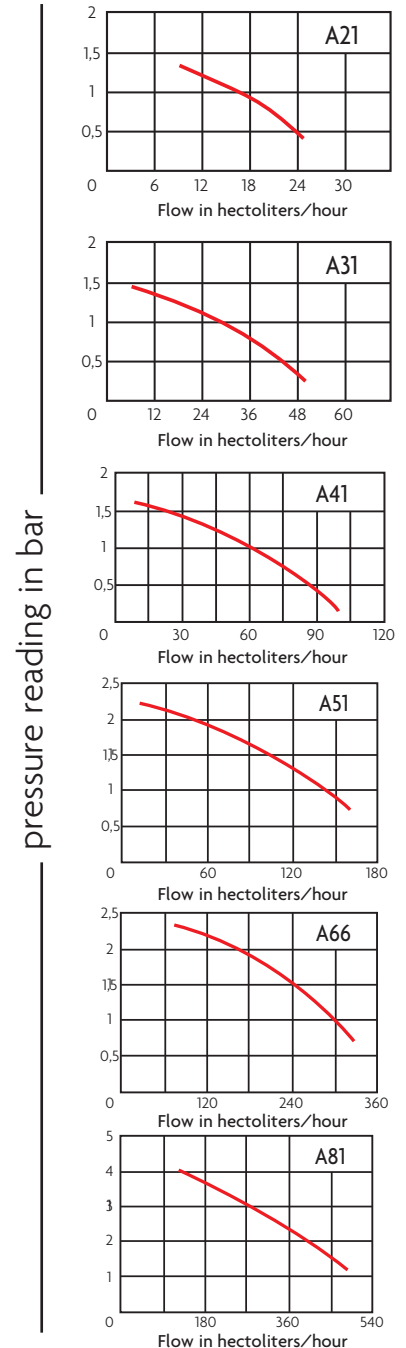
TYPE 31				
Reference	kW	Gal US/h	Speed rpm	DN
Centrifugal single speed pump CA31	0,55	1.300	50	40
Centrifugal pump with electronic variator	0,75	200 to 1.500	10 to 60	
Single speed Atex pump	0,75	1.300	50	
Pressure regulator				
Filter				

TYPE 41				
Reference	kW	Gal US/h	Speed rpm	DN
Centrifugal single speed pump CA41	1,1	2.600	100	40
Centrifugal pump with electronic variator	1,5	500 to 2.900	20 to 110	
Single speed Atex pump	1,5	2.600	100	
Pressure regulator				
Filter				

TYPE 51				
Reference	kW	Gal US/h	Speed rpm	DN
Centrifugal single speed pump CA51	2,2	4.700	180	50
Centrifugal pump with electronic variator	2,2	1.000 to 5.500	40 to 210	
Single speed Atex pump	3	4.700	180	
Pressure regulator				
Filter				

TYPE 66				
Reference	kW	Gal US/h	Speed rpm	DN
Centrifugal single speed pump CA66	4	7.900	300	65
Centrifugal pump with electronic variator	4	1.500 to 9.500	60 to 360	
Single speed Atex pump	4	7.900	300	
Pressure regulator				
Filter				

TYPE 81				
Reference	kW	Gal US/h	Speed rpm	DN
Centrifugal single speed pump CA81	9	13.200	500	80
Centrifugal pump with electronic variator	15			
Single speed Atex pump	11	13.200	500	
Pressure regulator				
Filter				



Eccentric screw pumps

Characteristics

- Screw pump in stainless steel with round or oval screw
- Carbide-carbide joint
- Perbunan stator
- Operates at high temperatures
- Easy cleaning
- Fast disassembly
- Easy to disconnect
- Heavy-duty universal joints

Electrical equipment

- Direction reversal switch
- Circuit breaker
- 10 meters cable
- Plug

Options

- Different stator type
- Speed regulator
- Radio control
- Thread as requested
- Pressure regulator
- Pressure switch
- Discharge valve

Use

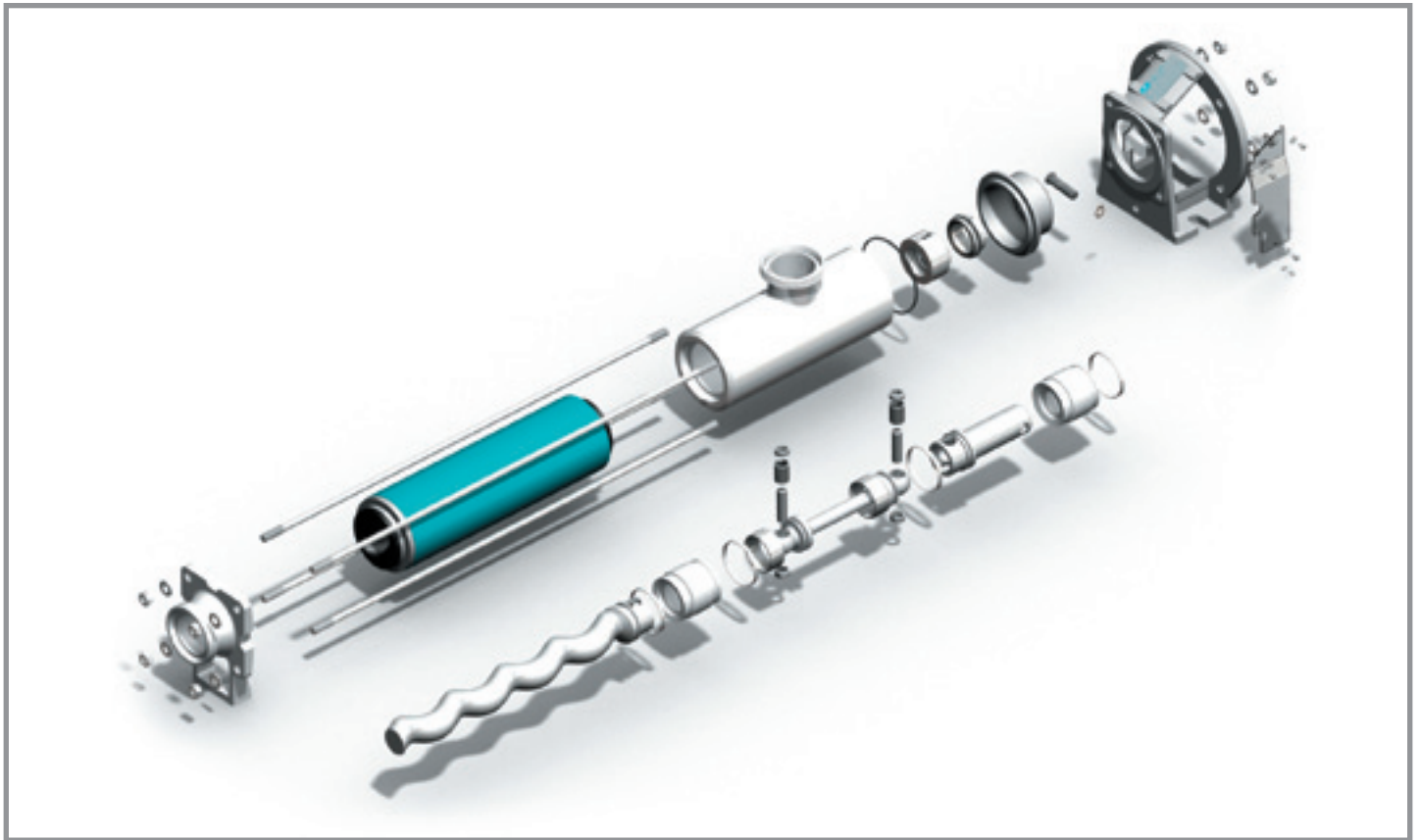
- Filtration
- Bottling
- Pumping thick and viscous products
- Food industry



Probe-based protection



Pressure regulator



ECCENTRIC SCREW PUMP WITH CART-MOUNTED ELECTRONIC CONTROL				
Reference	Gal US/h	Flow L/h	kW	Speed rpm
XCE40	90 to 1.500	350 to 6000	1,5	60 to 1100
XCE100	100 to 2.600	500 to 10000	2,2	60 to 900
XCE150	300 to 3.900	1200 to 15000	3	60 to 825
XCE210	500 to 5.500	2200 to 21000	5,5	60 to 620
Pressure regulator for models 40 & 100				
Pressure regulator for models 150 & 210				

Spare parts		
	Designation	Code
XCE40	Cardan kit	PCCCL0501
	Rotor	TACBB0003
	Rod	TCCBF0010
	Swivel joint	GMXC40
	Counter-face	
Stator	SXC40	
XCE100	Cardan kit	PCCCL060L
	Rotor	TACBB0060
	Rod	TCCBF0010M
	Swivel joint	GMXC100
	Counter-face	
Stator	SXC100	
XCE150	Cardan kit	PCCCL0651
	Rotor	TACCB1005
	Rod	TCCBF0020
	Swivel joint	GMXC150
	Counter-face	
Stator	SXC150	
XCE210	Cardan kit	nous consulter
	Rotor	nous consulter
	Rod	nous consulter
	Swivel joint	GMXC210
	Counter-face	
Stator	SXC210	

Rotorflex Pumps

Characteristics

- Single or dual speed pump
- Pump with mechanical or electronic regulator
- Pump housing in 316L stainless steel

Electrical equipment

- Direction reversal switch
- Circuit breaker
- 10 meters cable
- Plug

Options

- Speed regulator
- Pressure regulator
- DIN, SMS, gas or French fire service standard thread

Use

- Analysis device
- Brewing
- Pumping over
- Filtration



on trolley with electrical equipment	no trolley, no electrical equipment	ROTORFLEX PUMPS					
		Type	Reference	Gal US/h	Flow l/h	kW	Speed rpm

20 SERIES STAINLESS STEEL - Ø 15/21 gas							
●		1 speed motor	21.3.20	500	2000	0,37	1500
	●	1 speed motor	2.3.20	500	2000	0,37	1500

40 SERIES STAINLESS STEEL - Ø 40 Macon							
●		1 speed motor	21.3.40	1.100	4500	0,75	1500
	●		2.3.40	1.100	4500	0,75	1500
●		Mechanical regulator *	VMC30	100 to 700	600 to 3000	0,75	140 to 1000
●		Mechanical regulator *	VMC60	300 to 1.500	1200 to 6000	0,75	380 to 2000

* Plate required for attachment to client installation.

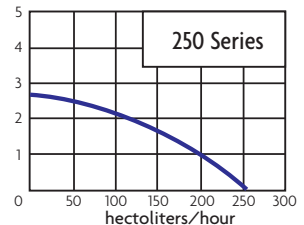
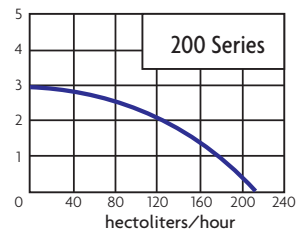
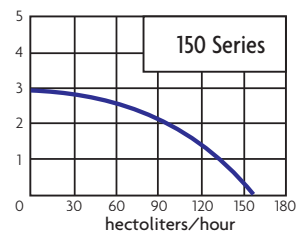
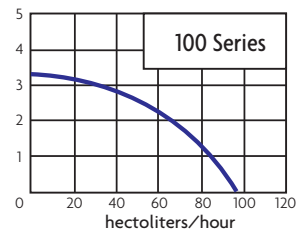
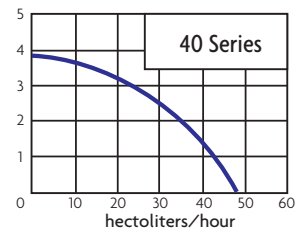
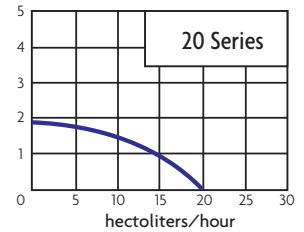
100 SERIES STAINLESS STEEL - Ø 40 Macon							
●		1 speed motor	21.3.100	2.500	9500	1,10	1500
	●		2.3.100	2.500	9500	1,10	1500
●		2 speed motor	21.2V3.100	1.100/2.500	4500/9500	0,6/1,0	750/1500
	●		2V3.100	1.100/2.500	4500/9500	0,6/1,0	750/1500

150 SERIES STAINLESS STEEL - Ø 50 Macon							
●		1 speed motor	21.3.150	3.900	15000	2,2	1500
	●		2.3.150	3.900	15000	2,2	1500

200 SERIES STAINLESS STEEL - Ø 50 Macon							
●		1 speed motor	21.3.200	5.500	21000	2,2	1500
	●		2.3.200	5.500	21000	2,2	1500

250 SERIES STAINLESS STEEL - Ø 50 Macon							
●		1 speed motor	21.3.250	6.600	25000	3,0	1500
	●		2.3.250	6.600	25000	3,0	1500

pressure reading in bar



Spare parts for Rotorflex® range

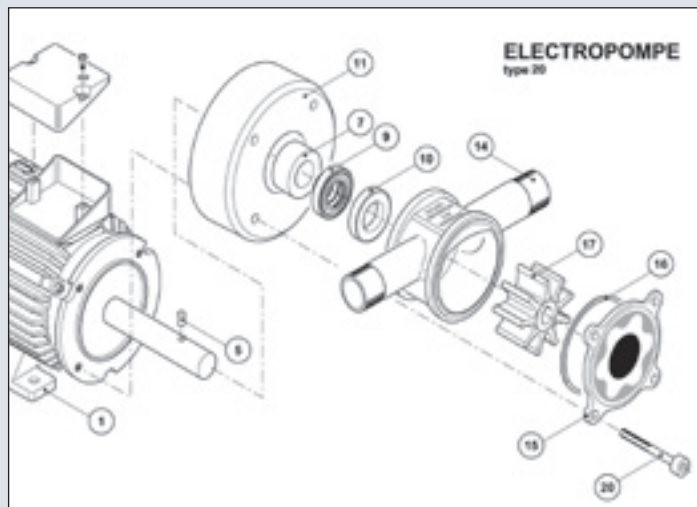
Spare parts

Ref.	Description	Code
1	Motor to be defined according to models	Please contact us
5	Pin	AP4
7	Ring	BA152116
9	Swivel joint	CY153512
10	Counter-face	CY16388
11	Spacer ring	FP232
14	Pump housing	FNR201521
15	Front flange	DL20R
16	O-ring gasket	CT5525
17	Impeller	MB2015
20	Screw 6 × 70 Socket Cap	11332

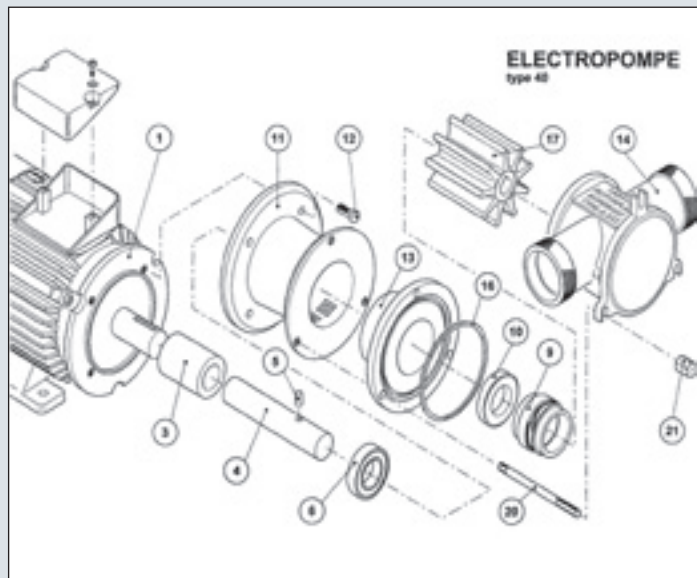
Blister pack kits

Repair kit	Code
Impeller & sealing (ref. 9, 10, 16, 17)	KIT20
Sealing (ref. 9, 10, 16)	KIT20J

ROTORFLEX 20



ROTORFLEX 40



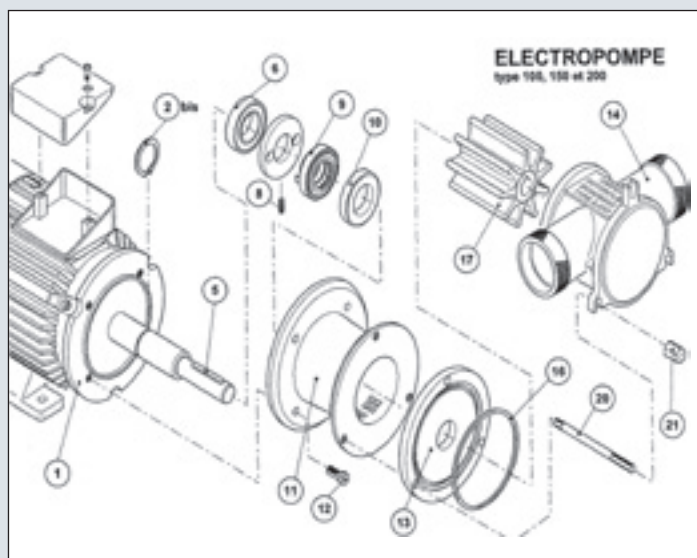
Spare parts

Ref.	Description	Code
1	Motor to be defined according to models	Please contact us
3	Aluminium sleeve coupling	MAN191550
4	Stainless steel axle (supplied with bearing and cotter)	AXE2340
5	Pin	AP4
6	Bearing	CT6302
9	Swivel joint	CY152815
10	Counter-face	CY16295
11	Spacer ring	FP419
13	Intermediate flange	FLR40AR
14	Pump housing	FNR40MACON
16	O-ring gasket	CT6525
17	Neoprene impeller	MB4015
20	Stainless steel tension rod	TIR40

Blister pack kits

Repair kit	Code
Impeller & sealing (ref. 9, 10, 16, 17)	KIT40
Sealing (ref. 9, 10, 16)	KIT40J

ROTORFLEX 100



Spare parts

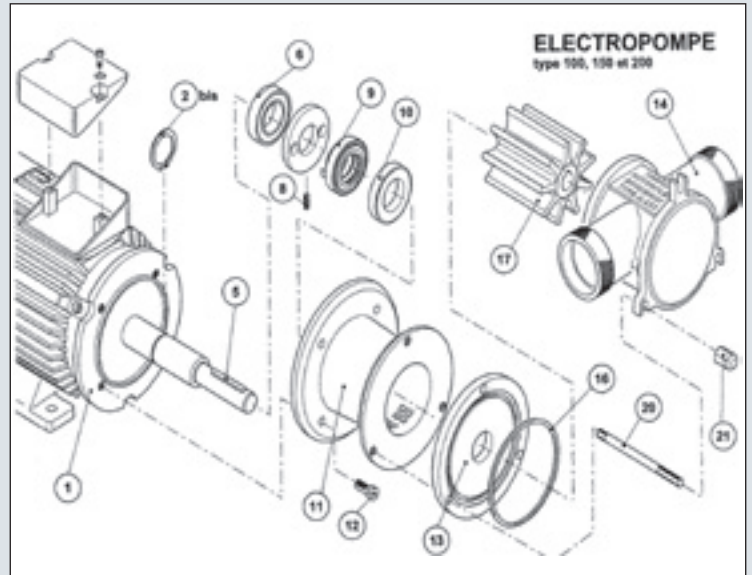
Ref.	Description	Code
1	Motor to be defined according to models	Please contact us
2bis	Circlips	CT25
5	Pin	AP6
6	Bearing	CT6305
9	Swivel joint	CY173215
10	Counter-face	CY18327
11	Spacer ring	FP1019
13	Intermediate flange	FLR100AR
14	Pump housing	FNR100MACON
16	O-ring gasket	CT843
17	Neoprene impeller	MB100
20	Stainless steel tension rod	TIR100

Blister pack kits

Repair kit	Code
Impeller & sealing (ref. 9, 10, 16, 17)	KIT100
Sealing (ref. 9, 10, 16)	KIT100J

ROTORFLEX 150 - 200

Spare parts			
Ref.	Description	Code	
		Type 150	Type 200
1	Motor to be defined	Please contact us	Please contact us
2bis	Circlips	CT30	CT30
5	Cotter	AP6650	AP8860
6	Bearing	CT6306	CT6306
7	Drive ring	BAGVM	BAGVM
9	Swivel joint	CE305415P	CE305415P
10	Counter-face	CY305710	CY305710
11	Spacer ring	FP2001	FP2001
13	Intermediate flange	FLR150AR	FLR200AR
14	Pump housing	FN150MACON	FN200MACON
16	O-ring gasket	CT953	CT1153
17	Neoprene impeller	MB15020	MB200
20	Stainless steel tension rod	TIR150	TIR150/200

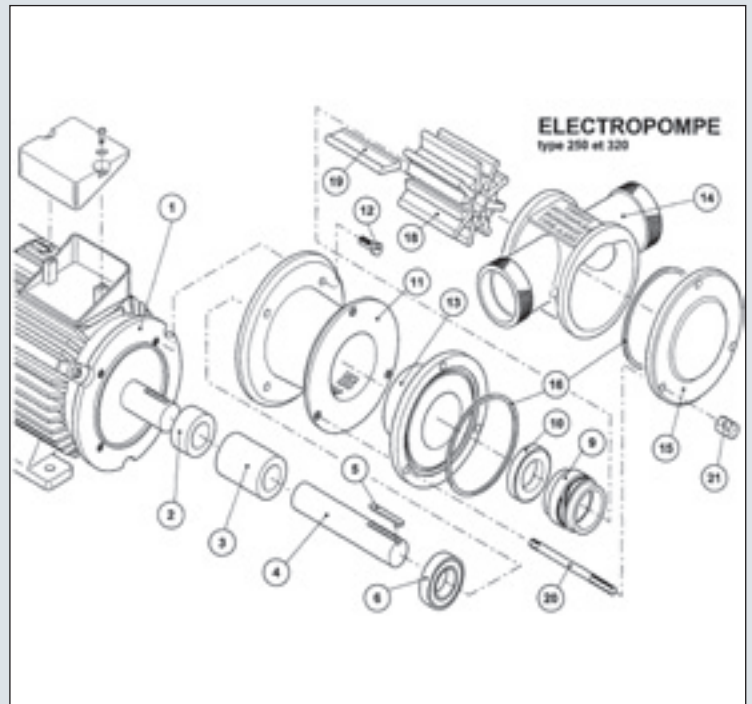


Blister pack kits

Repair kit	Code	Code
Sealing & blade set (ref. 9, 10, 16, 17)	KIT150	KIT200
Sealing (ref. 9, 10, 16)	KIT150J	KIT200J

ROTORFLEX 250 - 320

Spare parts			
Ref.	Description	Code	
		Type 250	Type 320
1	Motor to be defined	Please contact us	Please contact us
2	Brass ring	BA283215	BA283215
3	Aluminium sleeve coupling	MAN283080	MAN283080
4	Stainless steel axle (supplied with bearing and cotter)	AXE3250	AXE3320
5	Cotter	AP8870	AP8880
6	Bearing	CT6308	CT6308
9	Swivel joint	CY304426	CY304426
10	Counter-face	CE30457	CE30457
11	Spacer ring	FP2508	FP2508
13	Intermediate flange	FLR250AR	FLR250AR
14	Pump housing	FN250MACON	FN320MACON
15	Front flange	FLR250AV	FLR250AV
16	O-ring gasket	CT1253	CT1253
18	Support for blades	MB3250N	MB320N
19	Blade set (9)	MB3250	MB250/320
20	Stainless steel tension rod	TIRANTINOXR1250	TIR320



Blister pack kits

Repair kit	Code	Code
Sealing & blade set (ref. 9, 10, 16, 19)	KIT250	KIT320
Sealing (ref. 9, 10, 16)	KIT250J	KIT320J

Accessories Oenoflex®, Rotorflex®

Rotorflex Impeller

Code	Ø axle	Cotter	External Ø	Length	No. of blades
MB05	12	4	40	14	12
MB10	12	4	45	20	10
MB15	15	4	55	20	9
MB2015	15	4	55	30	10
MB2017	17	6	55	30	10
MB30	15	4	65	35	9
MB4015	15	4	65	55	9
MB4017	17	6	65	55	9
MB6015	15	4	71	60	9
MB6017	17	6	71	60	9
MB100	17	6	80	70	9
MB13017	17	6	85	80	10
MB13020	20	6	85	80	10
MB15020	20	6	95	90	9
MB15030	30	méplat	95	90	9
MB200	25	8	110	92	9

Oenoflex impeller

Code	Ø axle	Cotter	External Ø	Length	No. of blades
MBL100	30	Ø 8 transversal	120	80	10
MBL200	30	Ø 8 transversal	160	109	10
MBL200C for LCE15/260	30	Ø 8 transversal	160	109	10
MBL300	40	Ø 12 transversal	190	120	12
MBL600	40	Ø 12 transversal	230	130	10

Vane set

Code	Quantity/set	Ø A	Ø B	Length	Width
MB1509	Replaced by MB15020				
MB3250	9	10	9	100	40
MB250/320	9	10	9	114	40
MB450	10	12	10	155	50
MB500	10	12	10	150	58

Support for blades

Code	Ø axle	External Ø	Length	Material
MB250 N	20	63	114	Laiton
MB3250 N	30	72	100	POM
MB320 N	30	72	114	POM
MB500 N	40	96	150	POM

Electrical devices

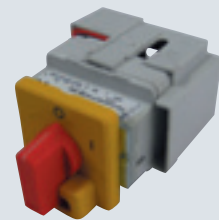
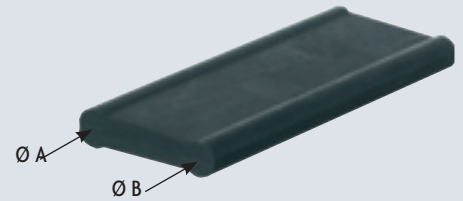
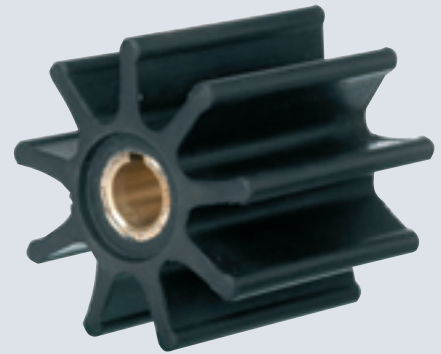
Code	Description
SEW10530200	20A direction reversal switch for countersinking
SEPI0530200	20A coupler/direction reversal switch for countersinking
FM014	Thermal circuit breaker for countersinking (specify amperage)
AE1V	Complete 1 speed control box (specify amperage)
AE2V	Complete 2 speed control box (specify amperage)

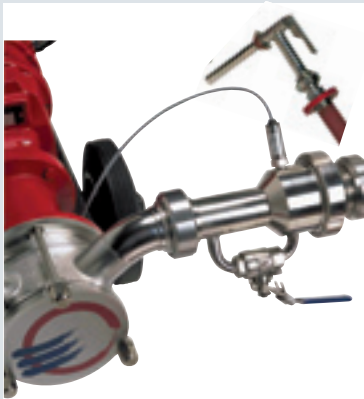
Oil

HYDRO	Oil for mechanical regulator, 1 liter can
HYDROR	Oil for motor reducer, 1 liter can

Console

NR/CONSOLE/SKPAR-3H	Programming console for Nord variator
---------------------	---------------------------------------





Pressure switch

The pump is automatically controlled by the nozzle for barrel filling. This option is only available on pumps with electronic variators.

- Pressure switch 40
- Pressure switch 50
- Pressure switch 70



100% stainless steel pressure regulator with manometer

Indispensable for filtration. The regulator is connected to Ø40 mm and Ø50 mm pumps with in-line fittings.

- Regulator 40
- Regulator 50
- Regulator 70

Stainless steel bypass valve

This option is available on the PVL100 and PVL200 models.



Option on new pump

- PVL100
- PVL200

Complete flange

- PVL100
- PVL200

Touchscreen display

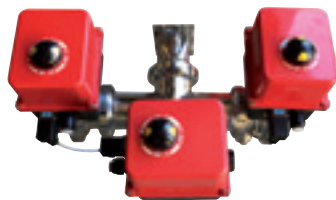
Only for LOB and Doublexc pumps



Automatic assembler

Designed to facilitate and improve reliability for the assembly of several tanks (2, 3, 4, 5 ...). Once the volume of each started tank programmed in the automation system, the valves and the electromagnetic flowmeter take care of changing tanks for you.

This option is purposed only on the pumps with electromagnetic flowmeter and touchscreen display



Kit butterfly valve with fixing

Automatic closing of the valve in case of power failure (maximum closing time: 7 to 15 seconds according to the model)



- Outlet 50 mm
- Outlet 70 mm
- Outlet 100 mm

Kit pneumatic butterfly valve with fixing

Immediate closing of the valve allowing an immediate stop of the transfer (compressed air required)

Interesting option when filling tank



Vibrating reed option

Security against dry running for pumps with electronic variators.

- DN40
- DN50
- DN70

Remote control

For electronically controlled pump.

Forward and reverse at variable speed, Reach 150 m, IP67,

Operating temperature: -20° C to + 50° C.

18 frequencies

Available on new pumps only.

Compelec 33 (with display)



Radio Blue 4 kilowatts

On/off/reversal Power 4 kW, 400 V, IP66, 16A outlet, Electropolished support, 10 meters cable

Compelec 22



Wired remote controle

From 10 to 30 meters cable



Wall-mounted float box

4kW with power supply cable 3 meters and 5-meters float cable with counterweights 24V control. 16A outlet. manual/automatic mode

BFM4



DOSA PRED

Dosing peristaltic pump for the incorporation of your oenological inputs.

Peristaltic pump with flexible rubber hose for working pressures up to 8 bar.

The flow varies from 30 to 300 Gal US/h (140 to 1200l/h).

Batch mode: by introducing a predetermined quantity, the pump starts and stops once the transferred quantity is reached.

Equipped with a rotary encoder.

Continuous mode: the instantaneous flow is detected and adjustable according to your needs.



Mode «continuous».

DOSA PRED HP

Synchronization of the flow rate of the dosing pump depending on the instant wine flow.

Allows precise incorporation of fluids into the wine before the bottling line.

Mode «manuel»: possibility to inverse the direction of pumping over and to vary speed.

Mode «automatique»: the dosing flow automatically adapts to the flow of the wine and to the chosen dose.

A precision electromagnetic flowmeter is integrated in order to control the quality of the dosing realized.



Feeding hooper for lobular pumps

SH LOB 200/300

SH LOB 600/1000

With solids detection sensor



Lobular pump with electromagnetic flowmeter integrated



Lobinox®

Inox pumps with 3 lobes

Flow: from 50 to 400hl depending on the model



Cazflot

For a quick clarification of the most

- for flotation
- manufactured with a saturation group, 2 peristaltic pumps, 1 prefilter and an electrical box.

Cazflot 1 : flow for treatment 2.600 Gal US/h (100hl/h)

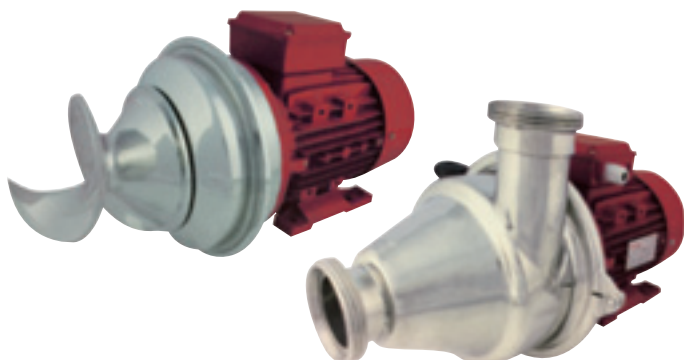
Cazflot 3 : flow for treatment 7.900 Gal US/h (300hl/h)

Hélico-centrifugal pumps 316L for pumping over to be fixed on a tank

HCZ100: flow 2.600 Gal US/h (100 hl/h). Motor 1,1 Kw. 1400 Rpm

HCZ200: flow 5.200 Gal US/h (200 hl/h). Motor 3 Kw. 1400 Rpm

HCZ300: flow 7.900 Gal US/h (300 hl/h). Motor 4 Kw. 1400 Rpm



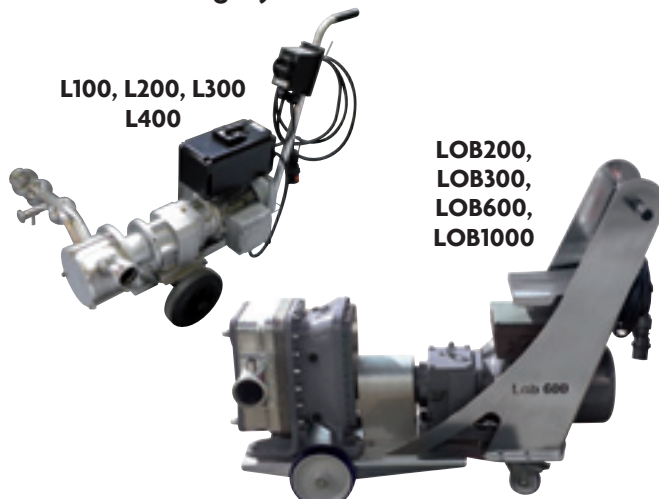
ATEX pumps: CEnoflex® and LOB®

Designed and manufactured according to the ATEX standard:

Category: 3G - Use in zone n°2

L100, L200, L300
L400

LOB200,
LOB300,
LOB600,
LOB1000



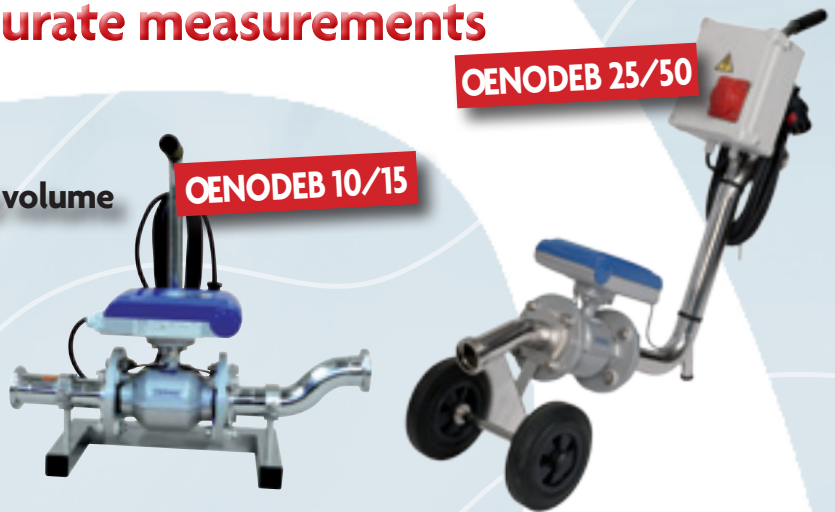
OENODEB®



A complete range of electromagnetic flowmeters for your accurate measurements

- Instantaneous flow display
- Totalizer display and reset
- Stopping of the pump at the scheduled volume

The monitoring and control solution for:
your transfers,
your blends, your stock.



References	Oenodeb 10	Oenodeb 15	Oenodeb 25	Oenodeb 50
Connection diameter (mm)	50	70	50	70
Flow Range	700 / 7.000 Gal US/h	1.300 / 18.400 Gal US/h	700 / 7.900 Gal US/h	1.300 / 18.400 Gal US/h
	30 / 300 hl/h	50 / 700 hl/h	30 / 300 hl/h	50 / 700 hl/h
Product temperature (°C)	-5 to 70			
Conductivity (µS/cm)	≥ 5			
Accuracy of flow measure (%)	+/- 0.2		+/- 0.3	
Repeatability of flow measure (%)	+/- 0.1			
Volts	220 ou 380 V		380 V	
Stopping of the pump at the scheduled volume			•	
Dimensions (mm)	650 x 320 x 580	750 x 320 x 580	1050 x 350 x 750	1300 x 500 x 800

LOB® M

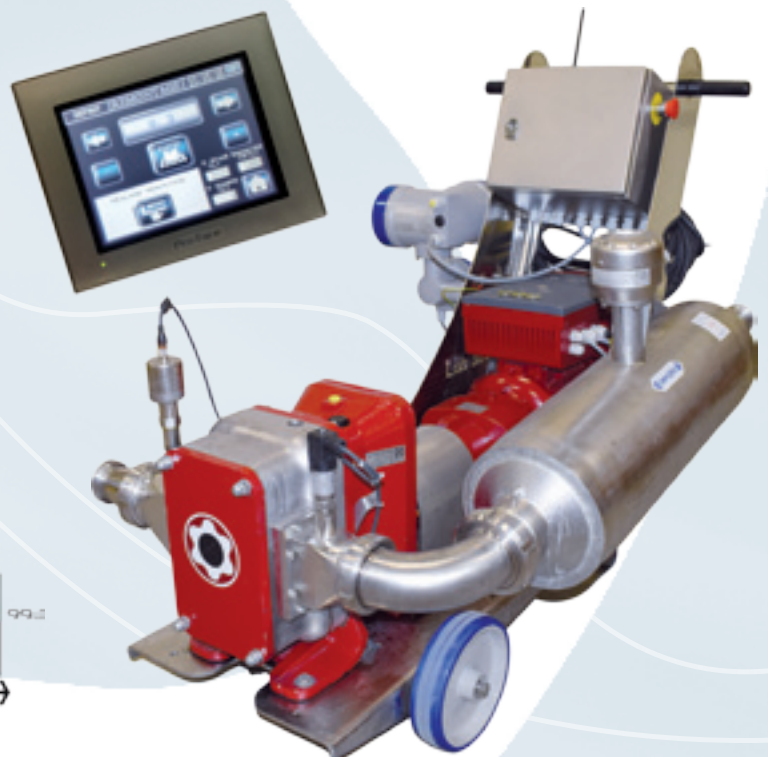
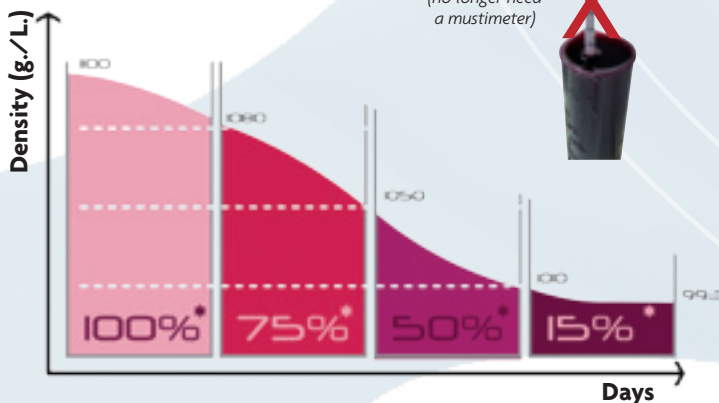
Mesures and records the density, the temperature and the flow.

Target:

- Better control of your extraction protocols according to the progress of the alcoholic fermentation
- Secure your business transactions

Applications:

Must, wine, oil, alcohols



* % de la cuve à pomper par remontage



Main French manufacturer of pumps for wine making, alcohol and food liquids, CAZAUX, created in 1954, strongly developed these last years.

CAZAUX increased its production capacity and moved in 2013 on a new production site in Montussan, near Bordeaux.

In order to offer answers in perfect adequacy with the request of its customers, CAZAUX developed new technologies and widens its pumps range, thanks to its technical and R&D services, to diversify its offer.

Seriousness, reliability and reactivity are the main qualities we developed in our teams. They enable today to offer specific pumping solutions for various applications.

Moreover, CAZAUX trades significantly abroad and is present in a lot of countries in the five continents.

Z.A. de Lalande - Route de Lalande
33450 MONTUSSAN - France
Tél. +33 (0)5 57 77 70 70 - Fax +33 (0)5 57 77 70 79
e-mail : commercial@rotorflex.com



CAZAUX

PUMP MANUFACTURER

www.rotorflex.com